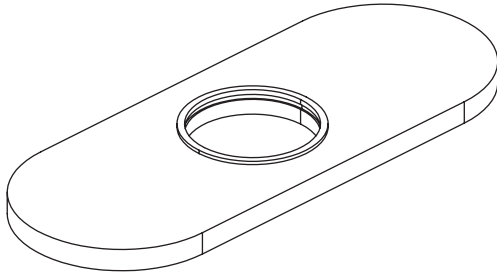


Installation Manual For 100.1000-2333 - Trim - Single Hole Faucet



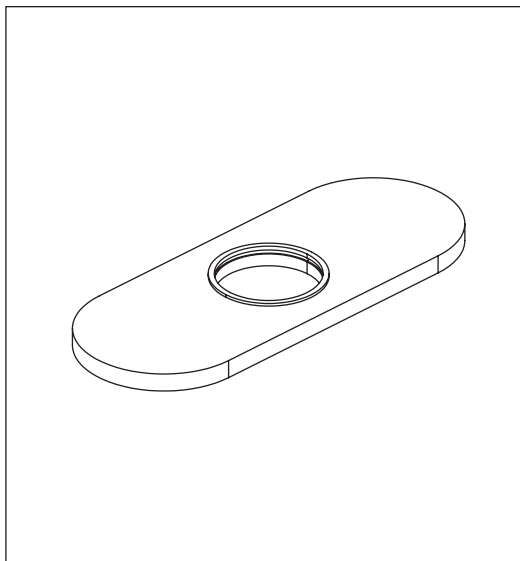
NOTICE TO HOMEOWNER

- We recommend that this product is installed by a qualified professional plumber.
- Please check this product immediately to ensure that it has not been damaged and is complete. Before installation, please make sure this product is the correct model and you have all the parts required for installation and use.
- Please flush the water system to ensure that no metal swarf, solder, and other impurities can enter the product.
- Turn off water supply before commencing work.
- Please read these instructions carefully and retain for future reference.

BEFORE YOU BEGIN

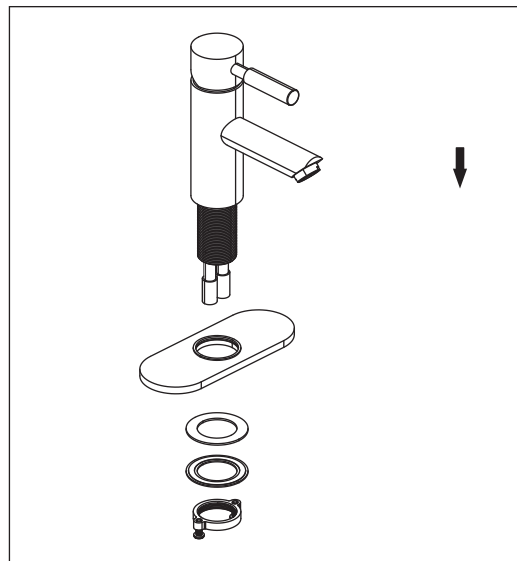
- You must observe all local plumbing laws and codes.
- Do not install this product if it does not meet plumbing codes.
- Shut off the main water supply.

INSTALLING THE SINGLE HOLE FAUCET



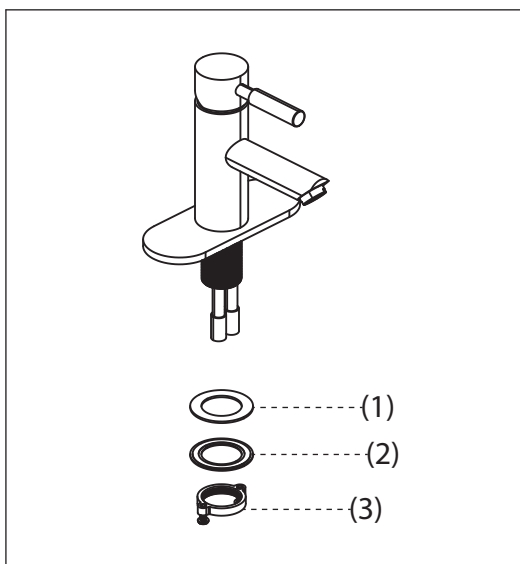
Step 1

Align and position the trim plate over the designated hole for the faucet.



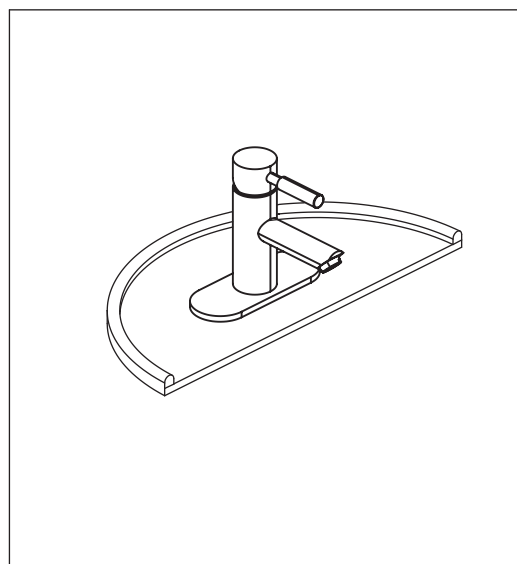
Step 2

Insert the faucet through the hole in the trim plate.



Step 3

Place the faucet through the hole in the sink. Attach the rubber washer (1) and the metal washer (2) onto the threaded mounting shank. Thread the nut (3) onto the mounting shank and secure it by tightening screws. Note: Do not overtighten the screws to avoid damage.



Step 4

Important: After installation is completed, Place Single hole faucet through hole on top of sink.