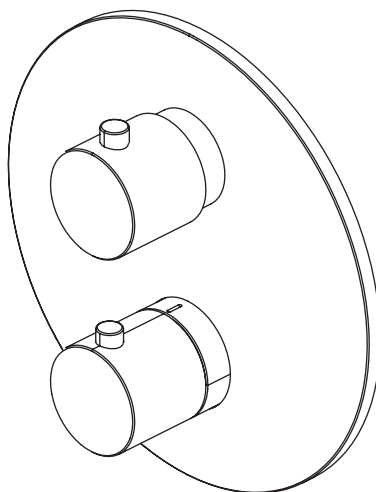


Installation Manual - 100.4001T

Thermostatic Valve Trim & Handle Set

Use With TVH.4101, TVH.4420F, TVH.4301F Valves

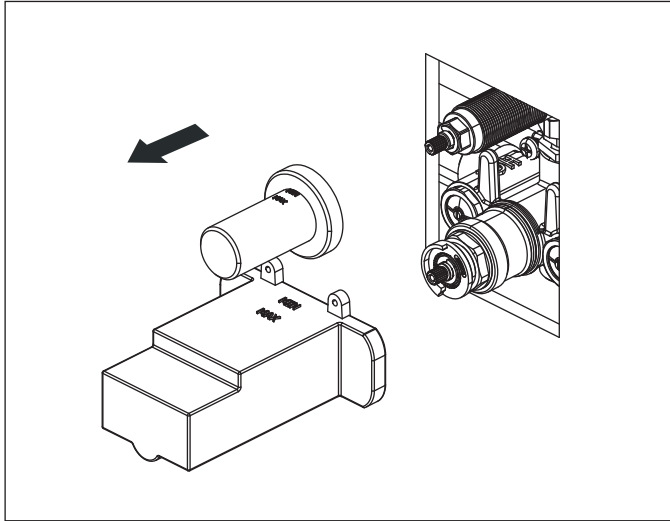


[100.4001T]

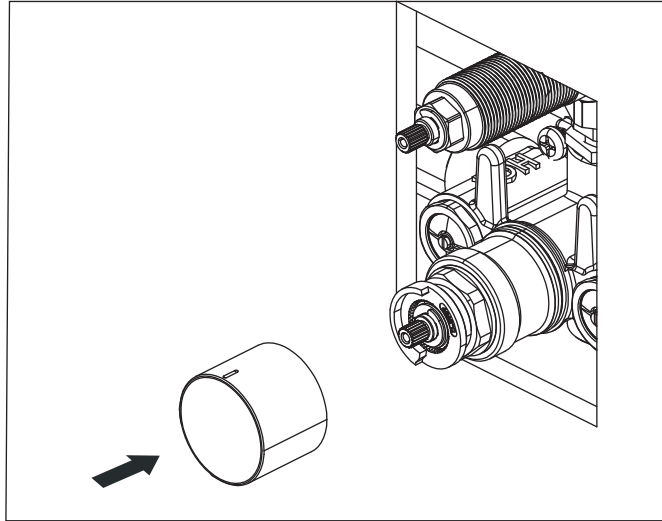
BEFORE YOU BEGIN

- You must observe all local plumbing laws and codes.
- Do not install this valve if it does not meet local plumbing codes.
- Shut off the main water supply.

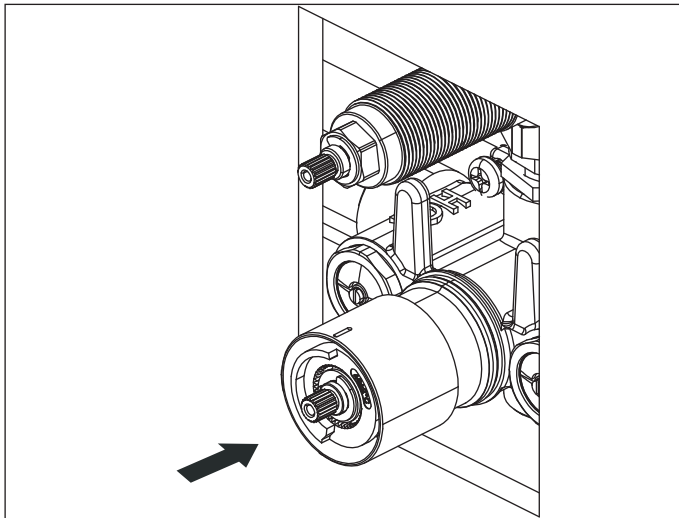
INSTALLING THE TRIM - TRIM PLATE SIZE AND SHAPE MAY VARY - ILLUSTRATION ONLY



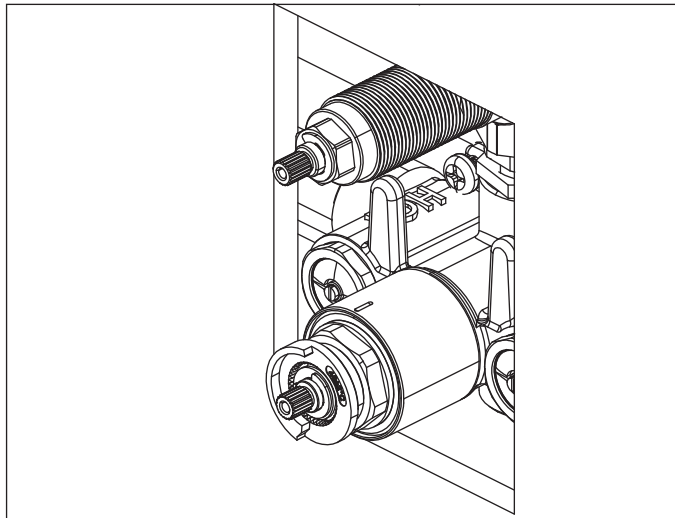
Remove mud guards



Install 42mm ring

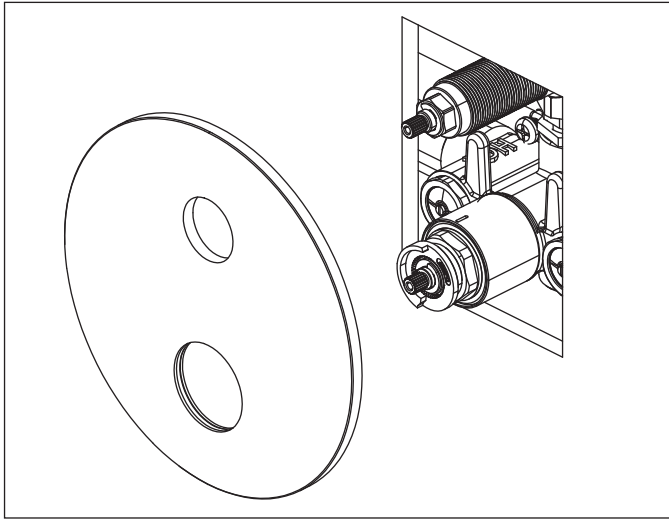


A hard push may be required

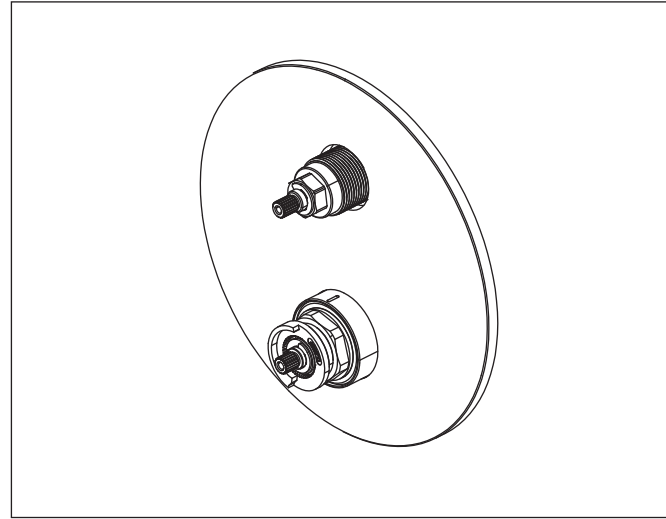


The 42mm ring must be fully flush to ensure the handle fits correctly.

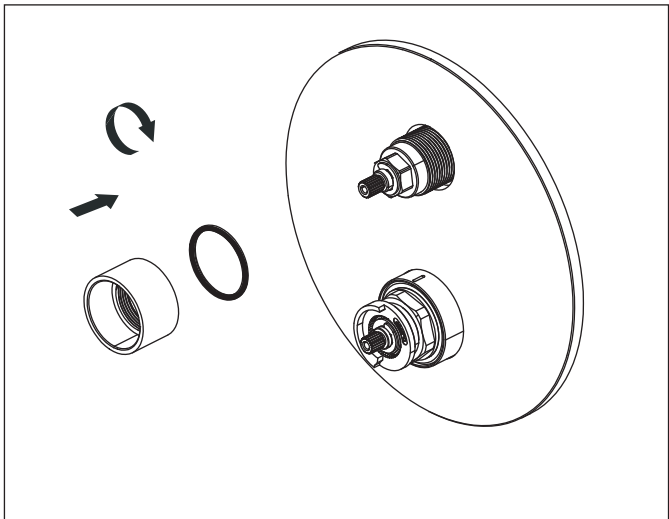
INSTALLING THE TRIM - TRIM PLATE SIZE AND SHAPE MAY VARY - ILLUSTRATION ONLY



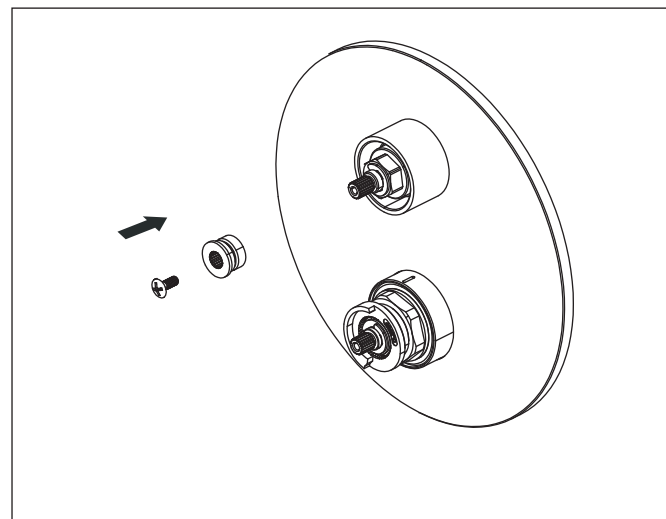
Insert trim plate



Align plate till it is straight

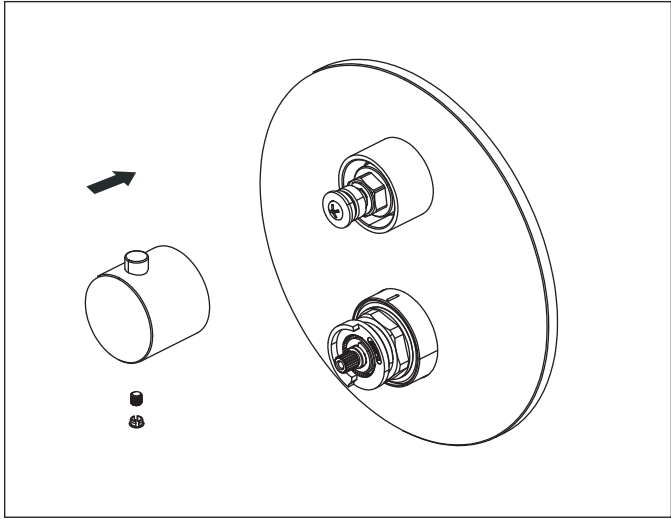


Insert adapter base and tighten

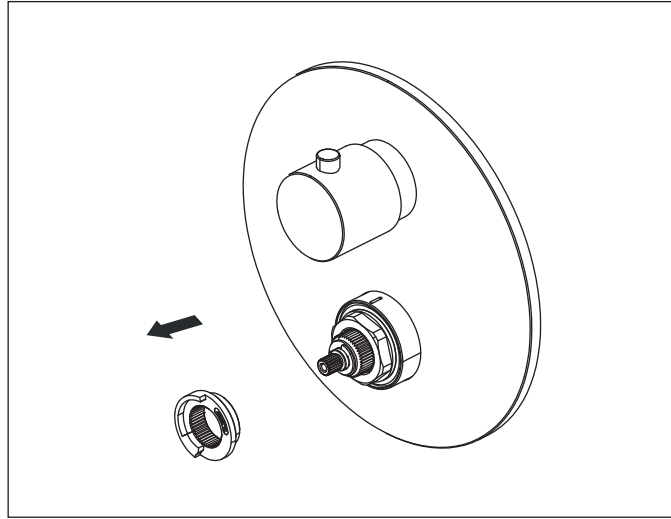


Insert centring knob & screws.

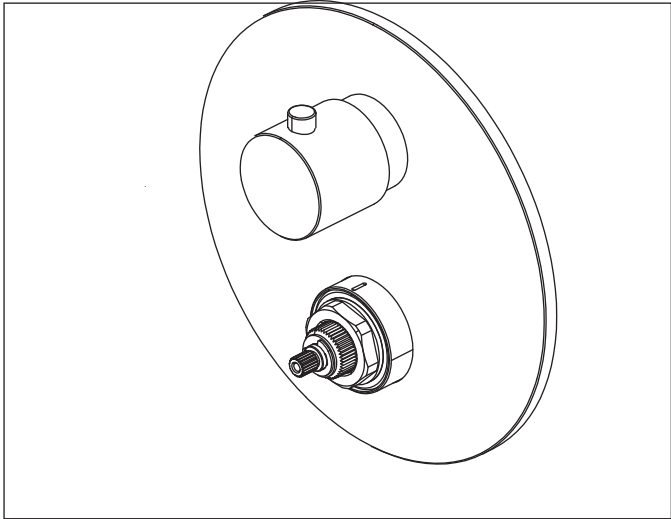
INSTALLING THE TRIM - TRIM PLATE SIZE AND SHAPE MAY VARY - ILLUSTRATION ONLY



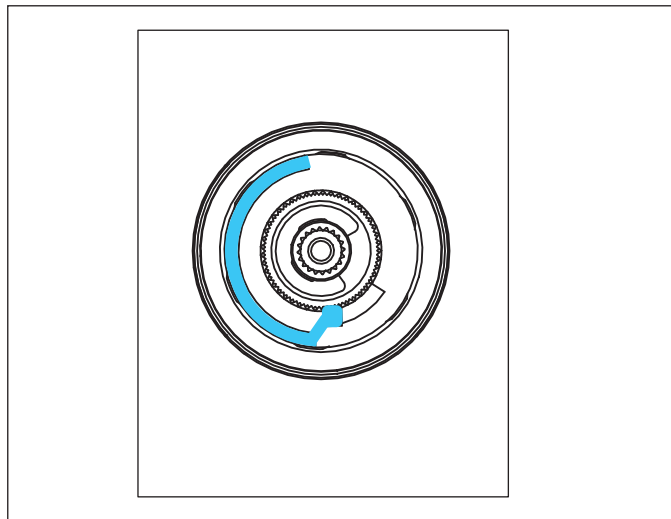
Attach the volume handle, secure it by tightening the hex screw, and insert the cover button.



Remove the anti-scald temperature ring, adjust it to the correct position, and reinsert it as shown in the reference image.

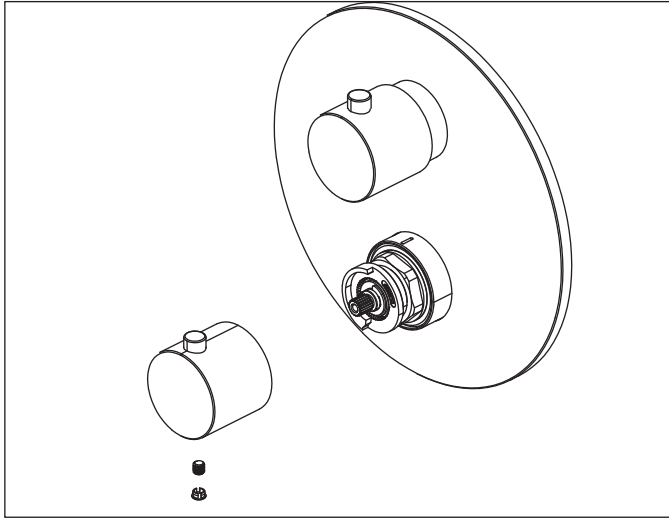


Calibrate the cartridge before attaching the temperature handle, ensuring the red marks are aligned.

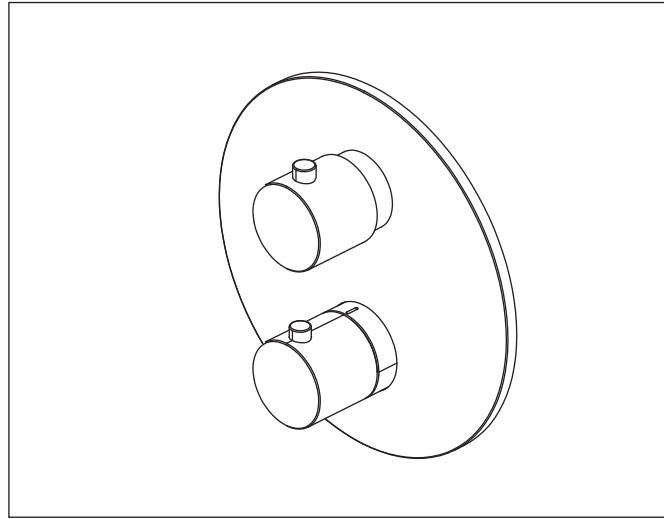


Reinsert the anti-scald temperature ring properly in the correct position.

INSTALLING THE TRIM - TRIM PLATE SIZE AND SHAPE MAY VARY - ILLUSTRATION ONLY



Attach the temperature handle, secure it by tightening the hex screw, and insert the cover button.



This image illustrates the trim fully installed.