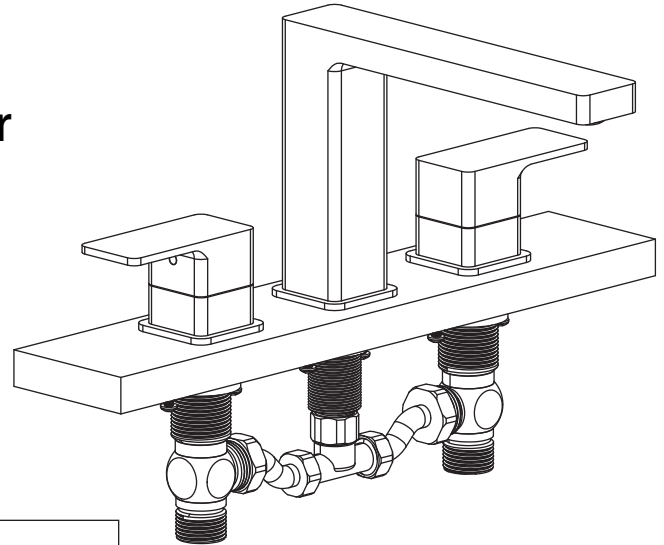


Installation Manual For 196.2410

3-Hole Deck Mount Roman Tub Filler



NOTICE TO HOMEOWNER

- We recommend that this product is installed by a qualified professional plumber.
- Please check this product immediately to ensure that it has not been damaged and is complete. Before installation, please make sure this product is the correct model and you have all the parts required for installation and use.
- Please flush the water system to ensure that no metal swarf, solder, and other impurities can enter the product.
- Turn off water supply before commencing work.
- Please read these instructions carefully and retain for future reference.

BEFORE YOU BEGIN

- You must observe all local plumbing laws and codes.
- Do not instal valve if it does not meet local plumbing codes.
- Shut off the main water supply.

Installation Manual For 196.2410

3-Hole Deck Mount Roman Tub Filler

TABLE OF CONTENTS

OPERATING SPECIFICATIONS	3
INSTALLING THE HOT & COLD HANDLES	4
INSTALLING THE TUB SPOUT	6
INSTALLING THE HOSES	7

OPERATING SPECIFICATIONS

WATER TEMPERATURE



This product is to be used with water at a temperature range of 40°F - 120°F ONLY!

WATER PRESSURE

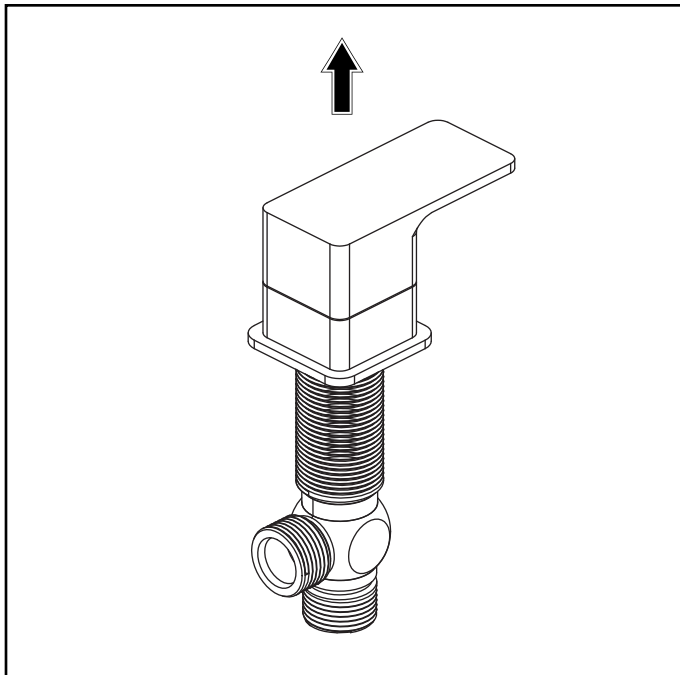


This product is to be used with a water pressure range of 15 PSI to 80 PSI ONLY

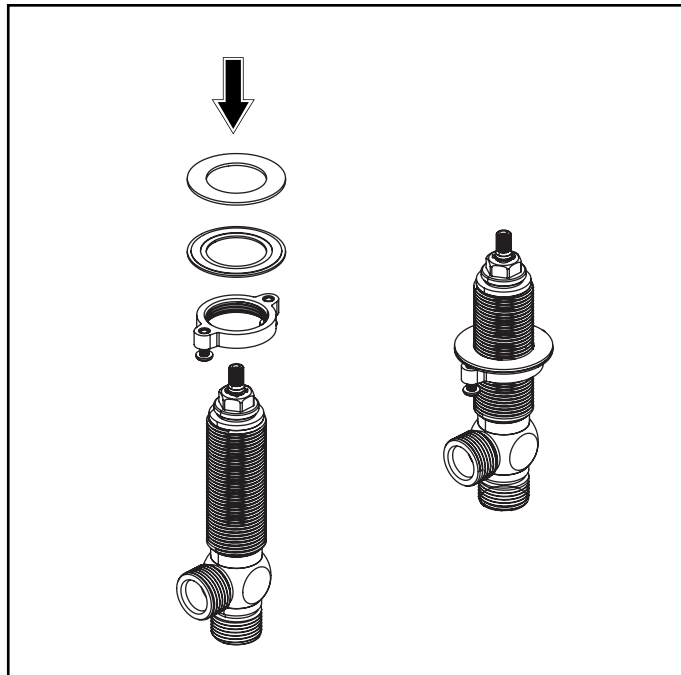
If water pressure is greater than 80 PSI, install a pressure reducer valve (PRV)

This valve meets or exceeds ANSI A112.18.1 and ASSE 1016

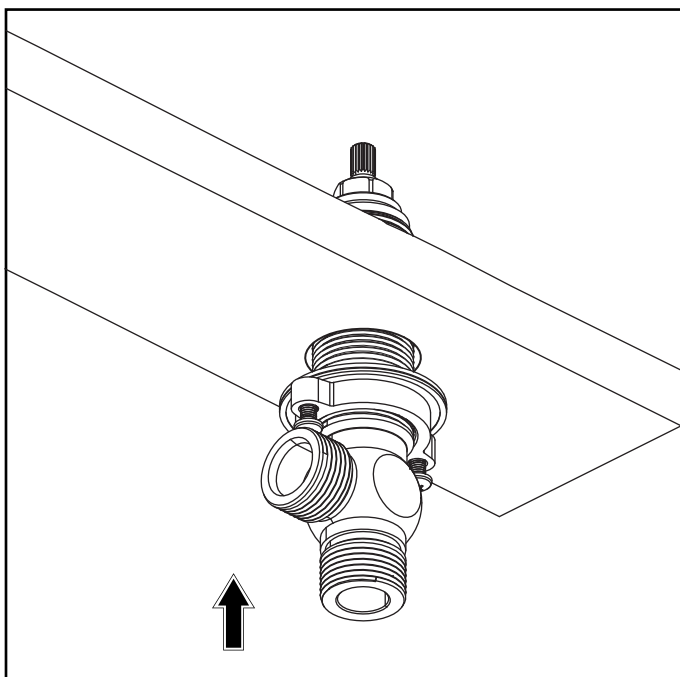
INSTALLING THE HOT & COLD HANDLES



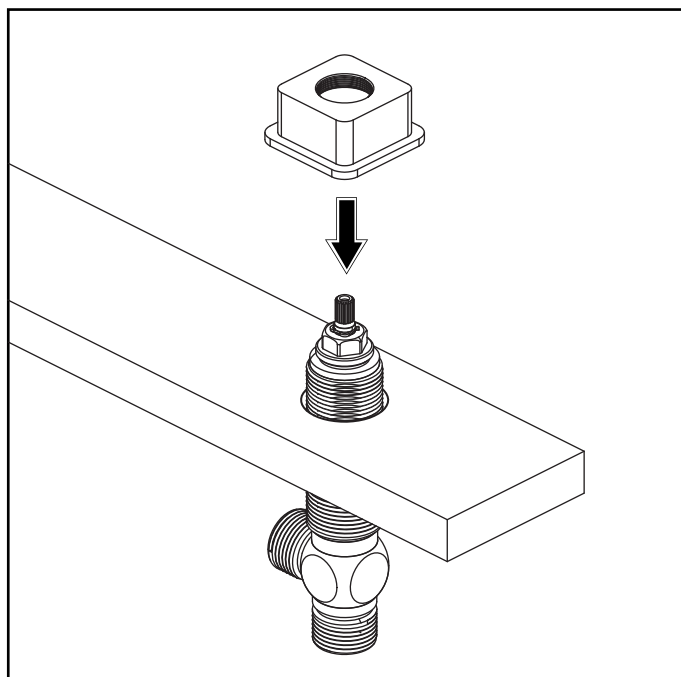
Remove body from valve



Install nut and washer onto valve

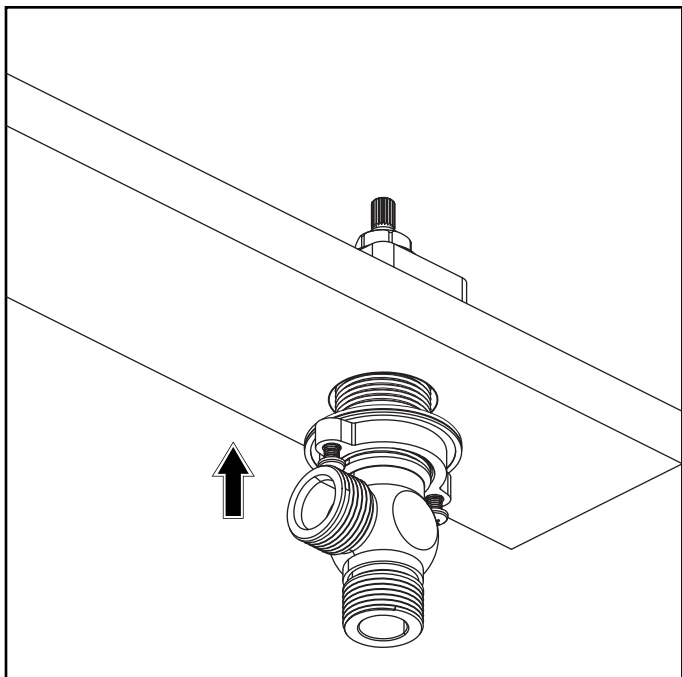


Insert valve into 1-3/8" hole from below the deck

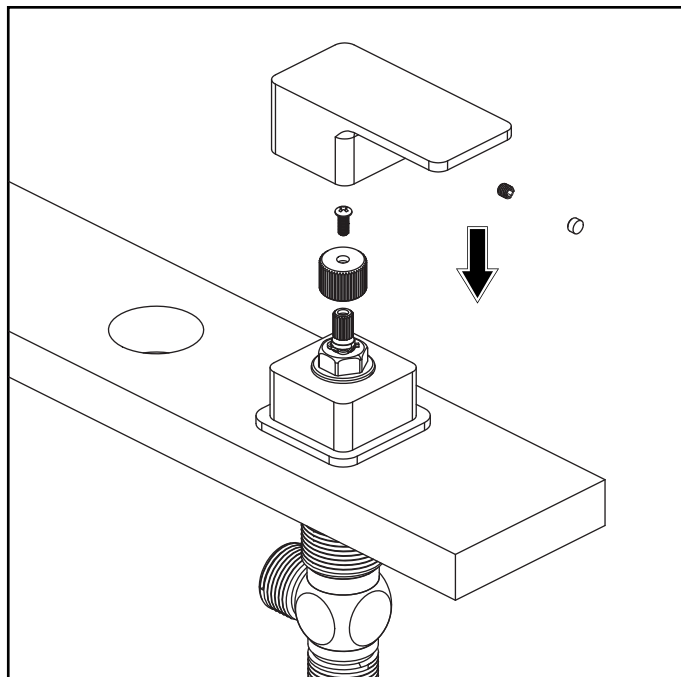


Insert handle base and twist to tighten

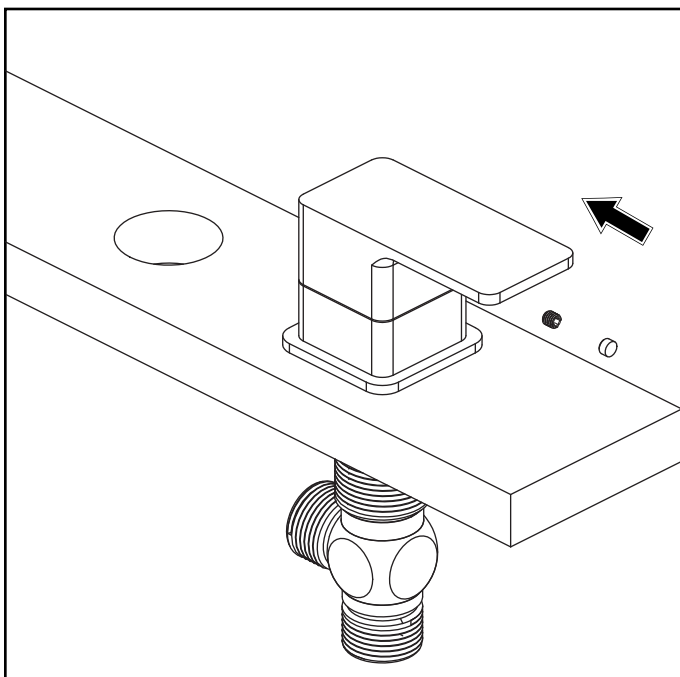
INSTALLING THE HOT & COLD HANDLES



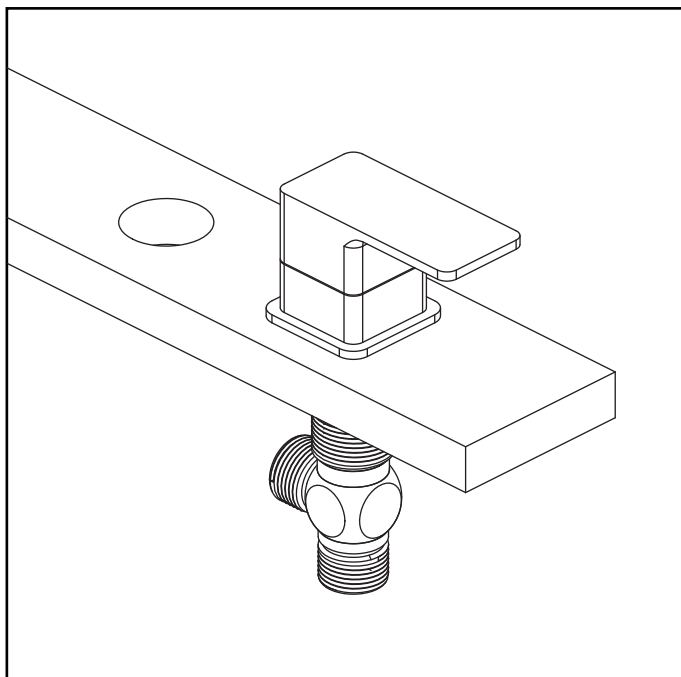
Tighten nut and washer from bottom of deck



Insert centring knob and handle.

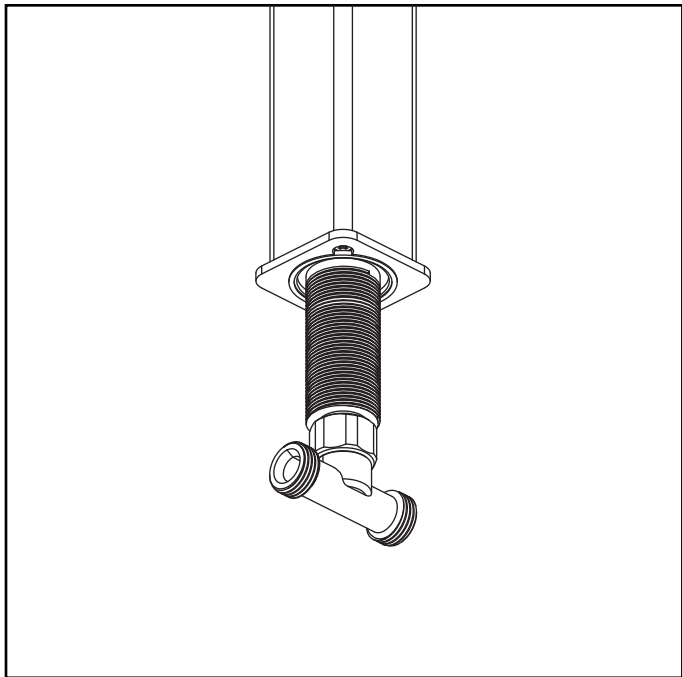


Tighten set-screw and insert plug

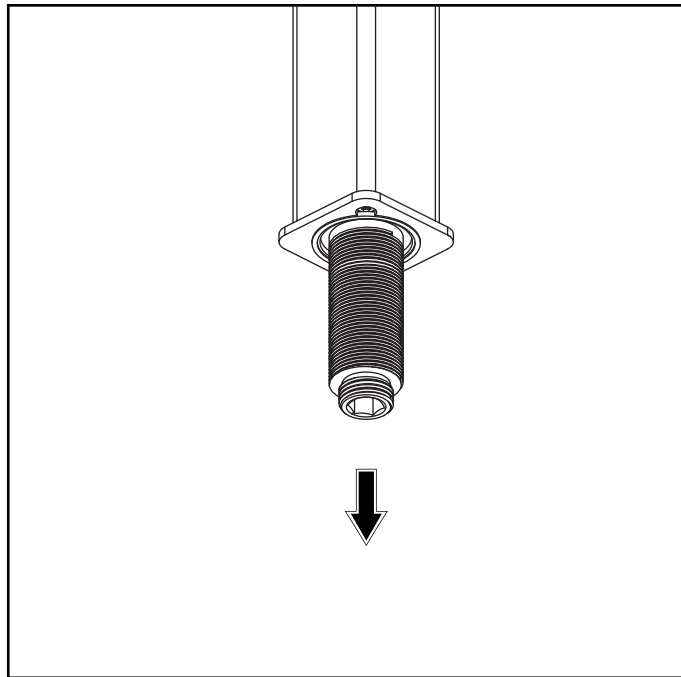


Twist to verify smooth operation

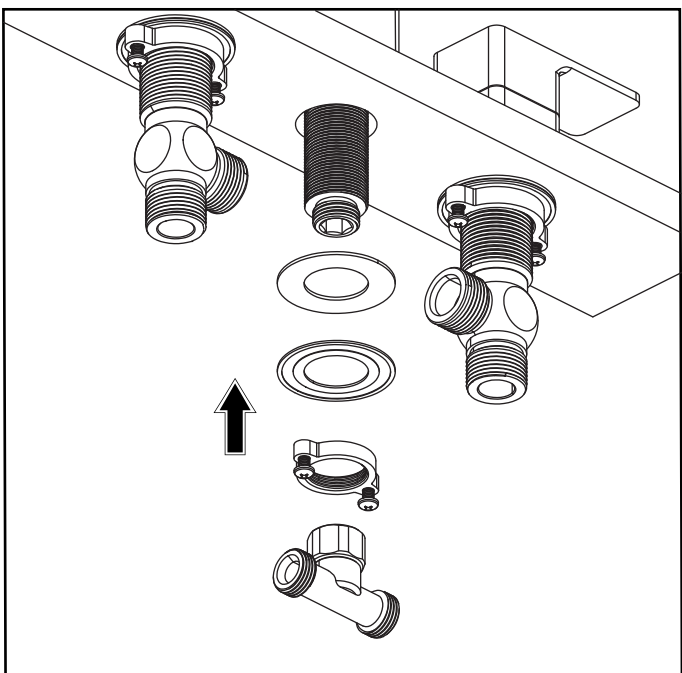
INSTALLING THE TUB SPOUT



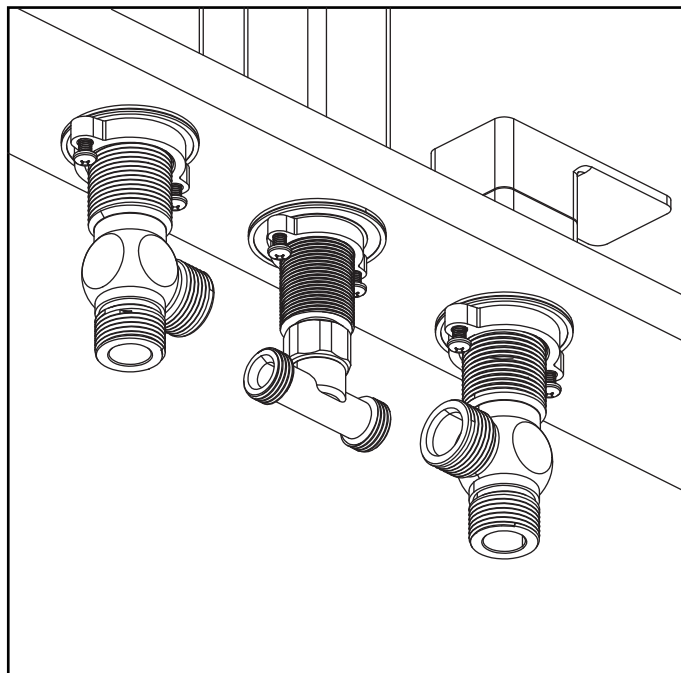
The spout is seen above



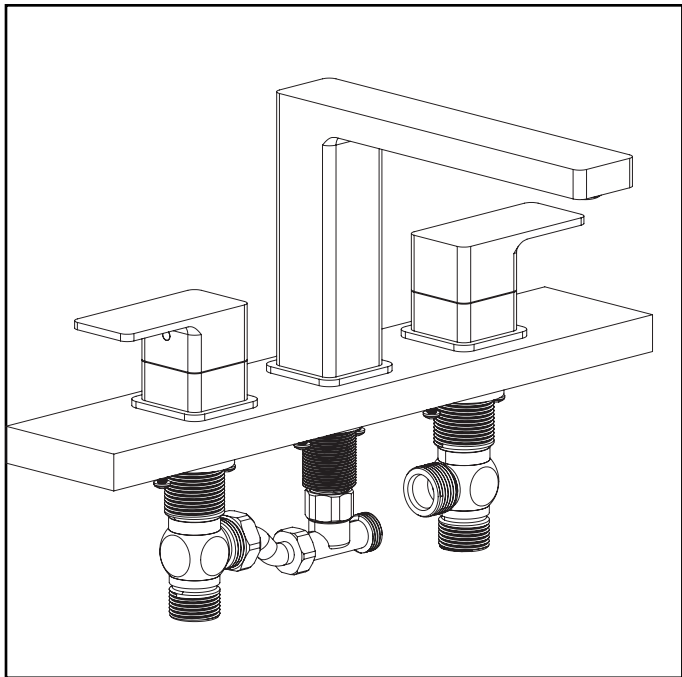
Remove T-fitting



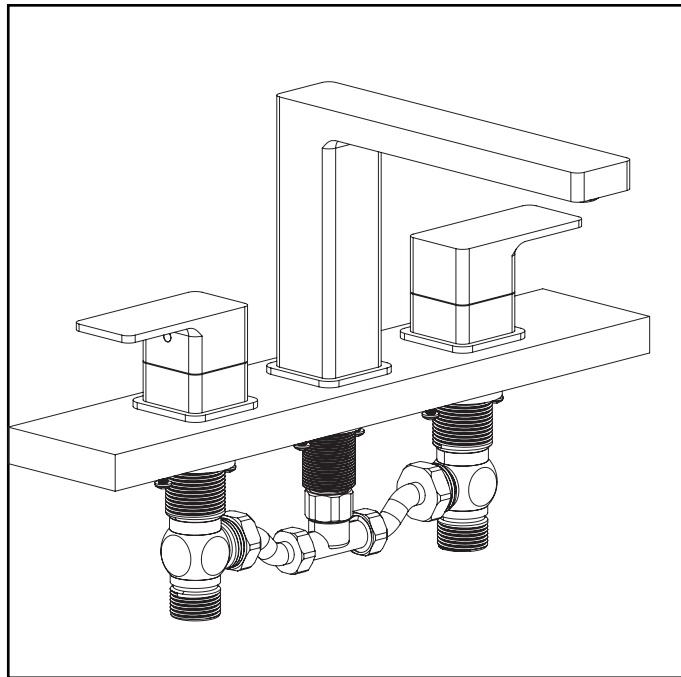
Insert spout into deck hole, then insert washers and tighten retaining nut & T-fitting



INSTALLING THE HOSES



Connect Hot-side connection



Connect Cold-side connection