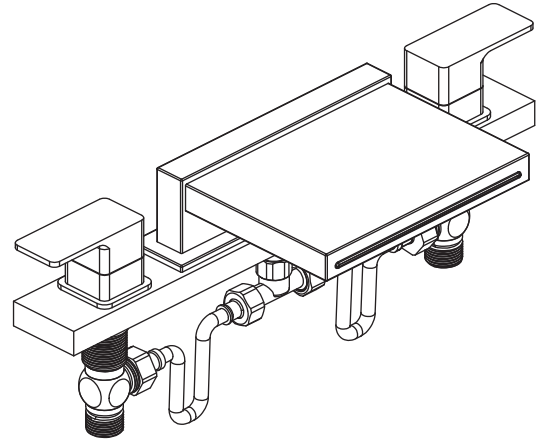


Installation Manual For 196.2410CF

3-Hole Deck Mount Cascade



NOTICE TO HOMEOWNER

- We recommend that this product is installed by a qualified professional plumber.
- Please check this product immediately to ensure that it has not been damaged and is complete. Before installation, please make sure this product is the correct model and you have all the parts required for installation and use.
- Please flush the water system to ensure that no metal swarf, solder, and other impurities can enter the product.
- Turn off water supply before commencing work.
- Please read these instructions carefully and retain for future reference.

BEFORE YOU BEGIN

- You must observe all local plumbing laws and codes.
- Do not instal valve if it does not meet local plumbing codes.
- Shut off the main water supply.

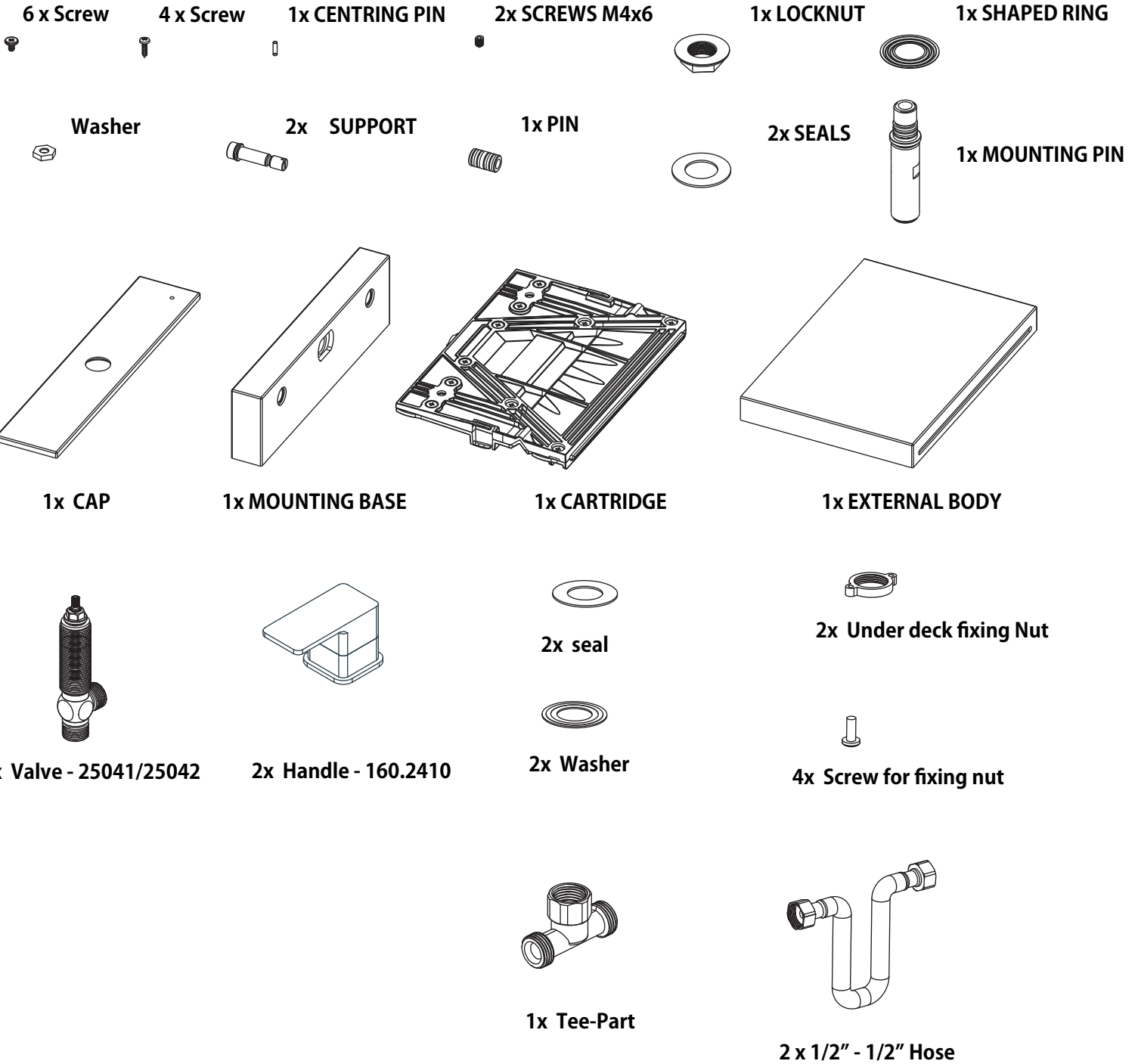
Installation Manual For 196.2410CF

3-Hole Deck Mount Cascade

TABLE OF CONTENTS

OPERATING SPECIFICATIONS	4
INSTALLING THE HOT & COLD HANDLES	5
INSTALLING THE TUB SPOUT	7
INSTALLING THE HOSES	8

IN THE BOX



OPERATING SPECIFICATIONS

WATER TEMPERATURE



This product is to be used with water at a temperature range of 40°F - 120°F ONLY!

WATER PRESSURE

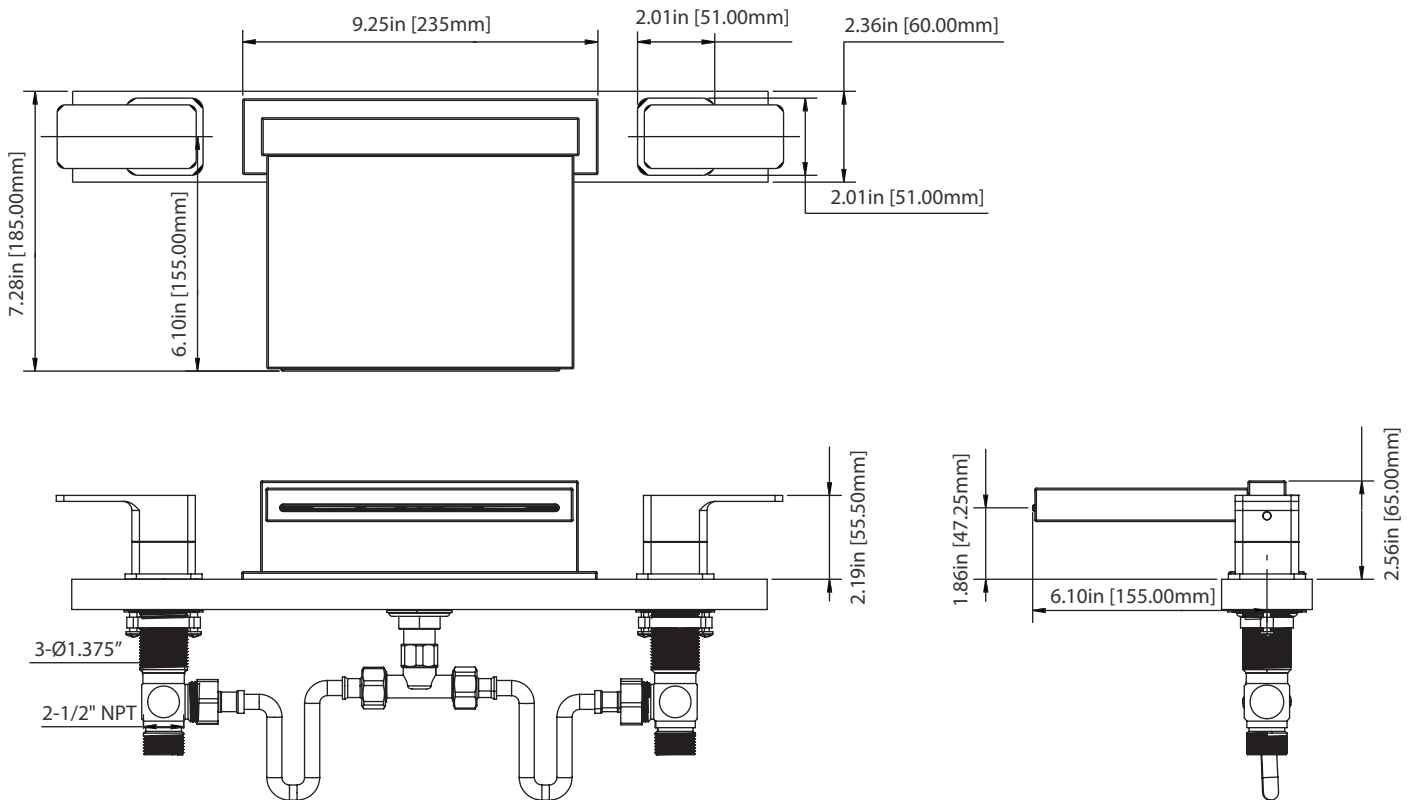


This product is to be used with a water pressure range of 15 PSI to 80 PSI ONLY

If water pressure is greater than 80 PSI, install a pressure reducer valve (PRV)

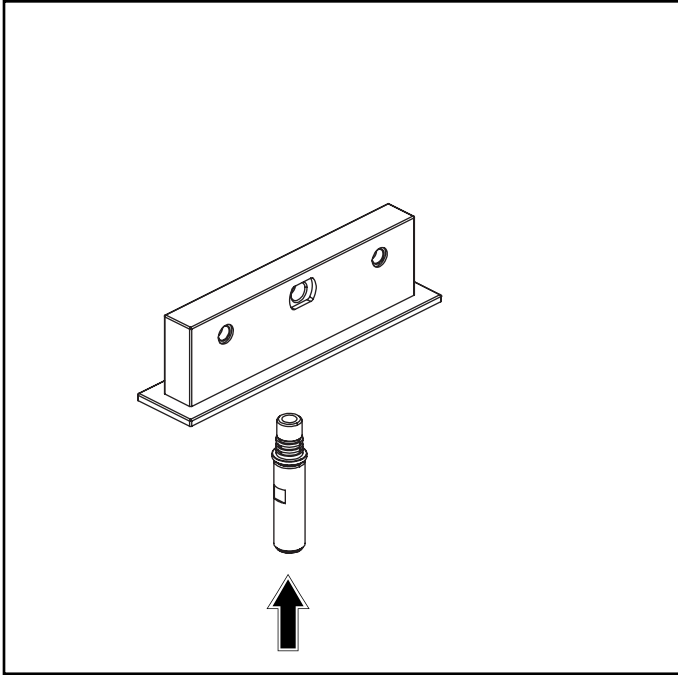
This valve meets or exceeds ANSI A112.18.1 and ASSE 1016

TECHNICAL DRAWING

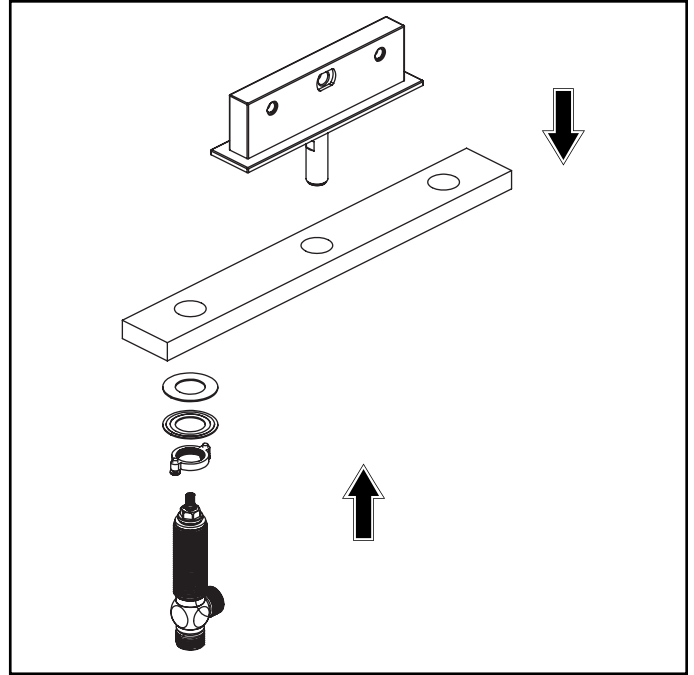


Critical Dimensions in Inches [mm]

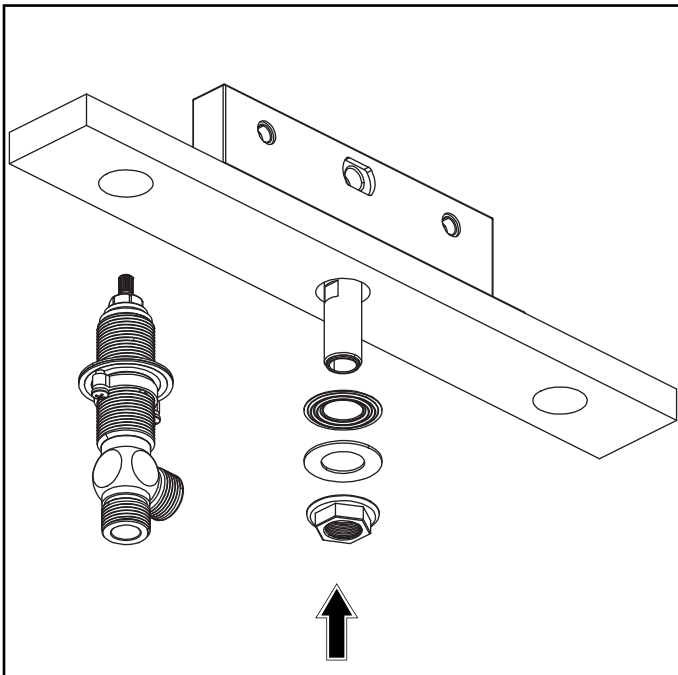
INSTALLING THE HOT & COLD HANDLES



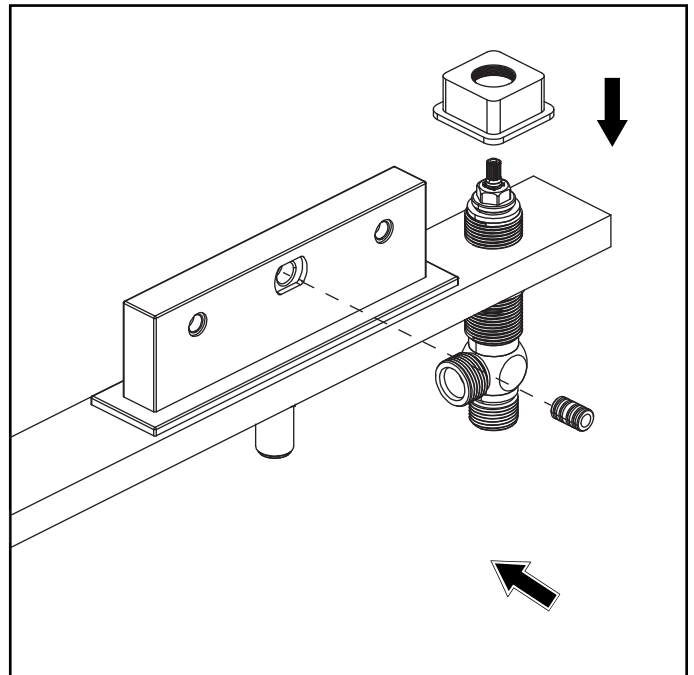
Tighten Mounting pin to mounting Base



Insert nut and washer onto valve. Then insert handle extension and tighten screw.

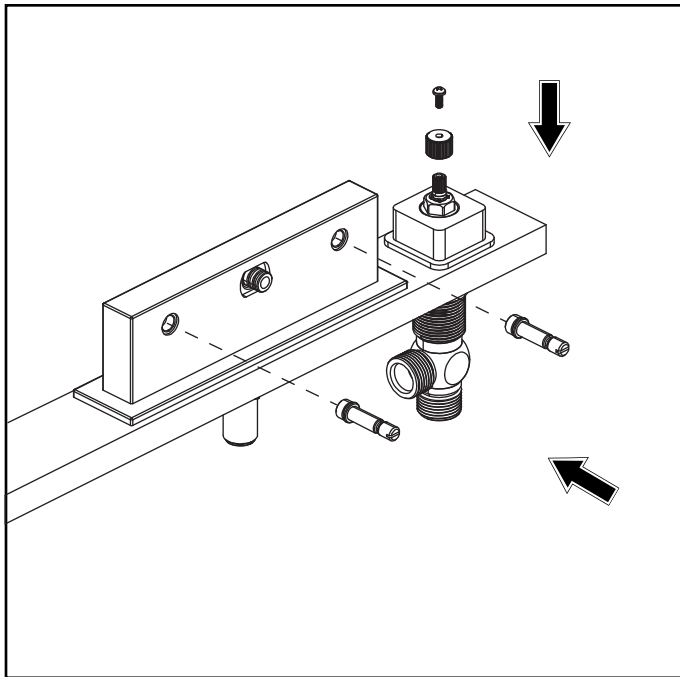


Tighten Mounting Pin with locknut and washer, Insert valve into 1-3/8" hole from below the deck

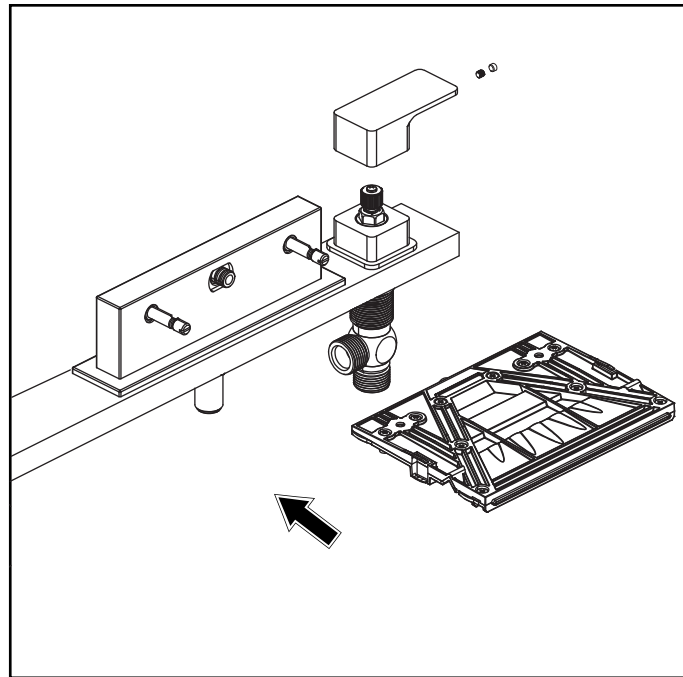


Install Handlebase and twist to tighten, Brass Pin with O-rings

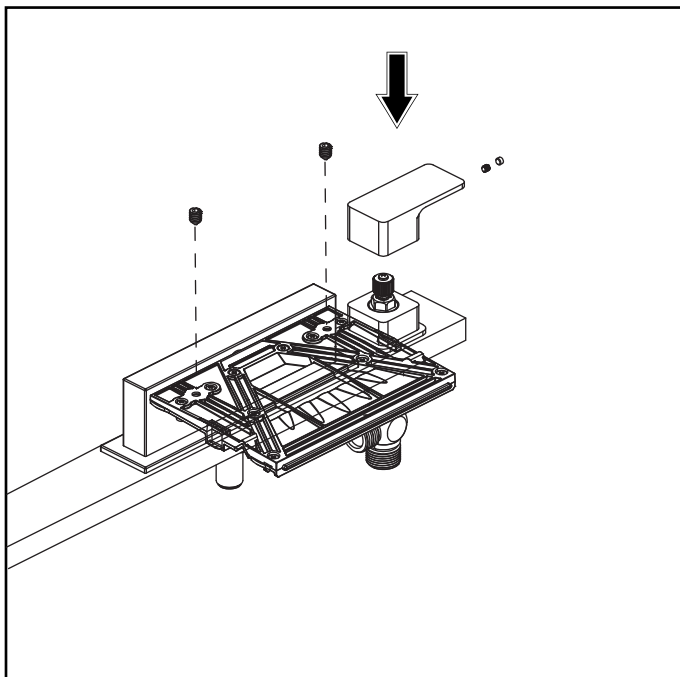
INSTALLING THE HOT & COLD HANDLES



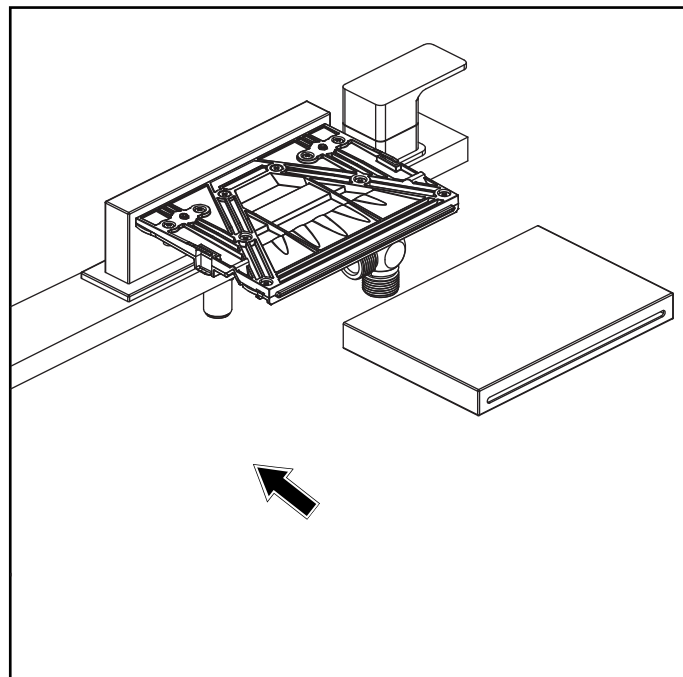
Remove plug & set -screw and Screw in Supports



Insert handle and Cartridge

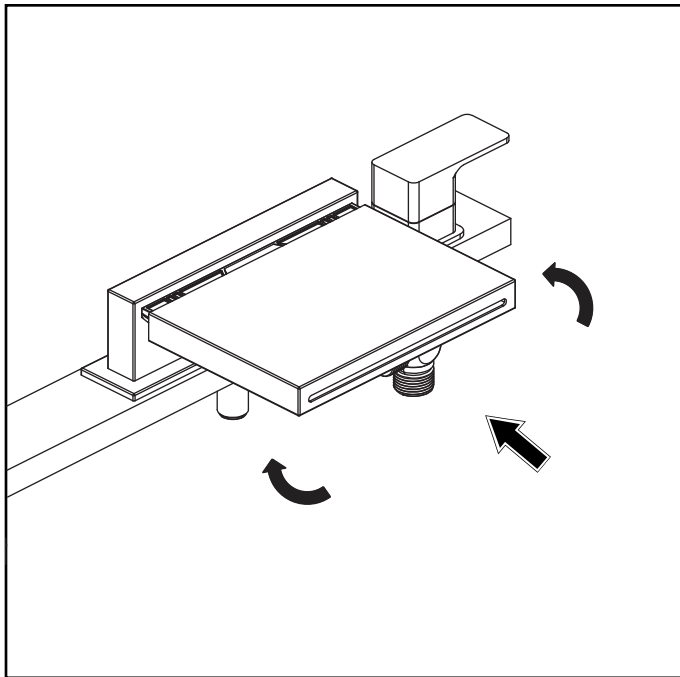


Insert and Tighten Hex screw to secure Cartridge.

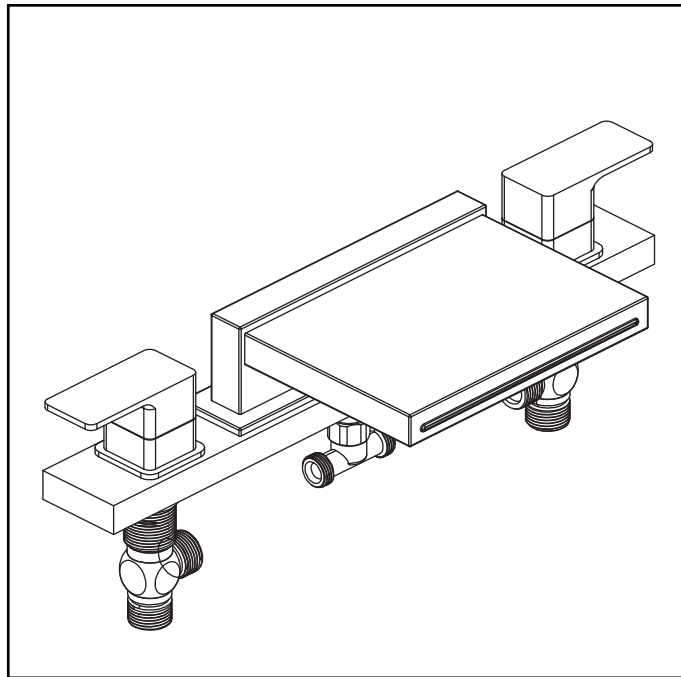


Insert External Body,

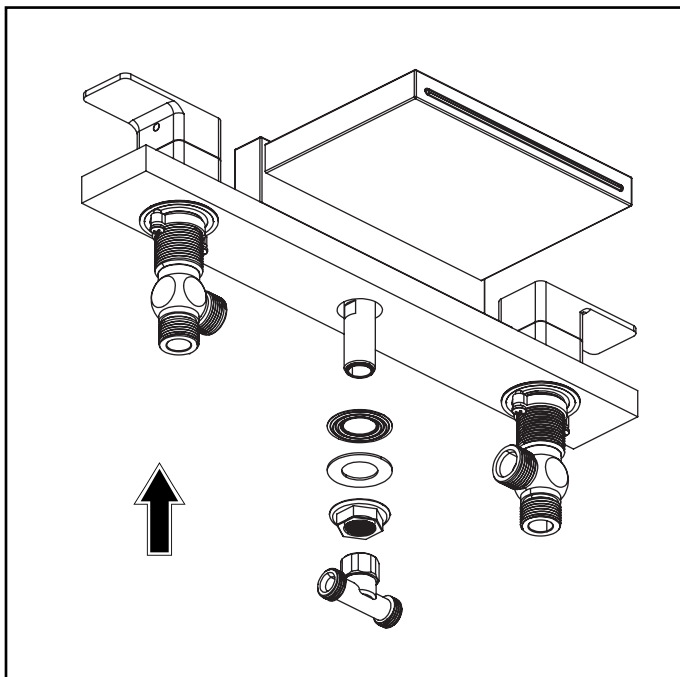
INSTALLING THE HOT & COLD HANDLES



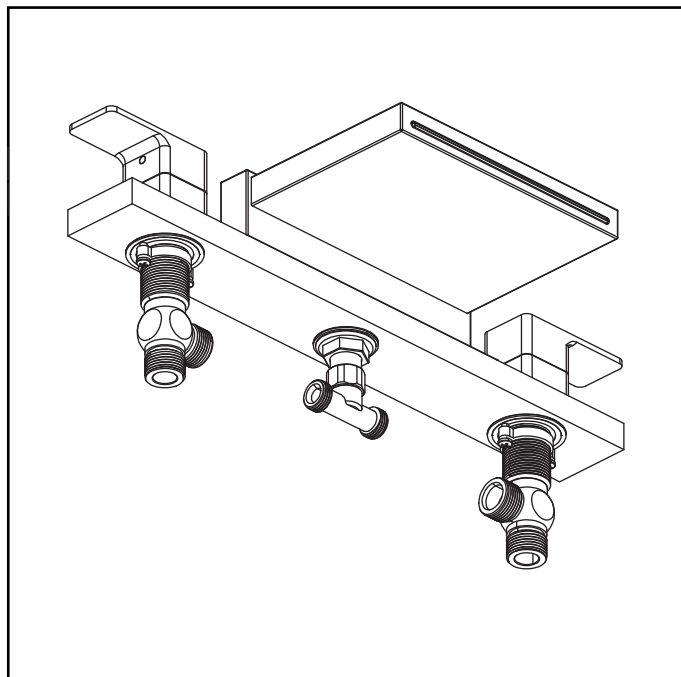
Install external body of Cascade



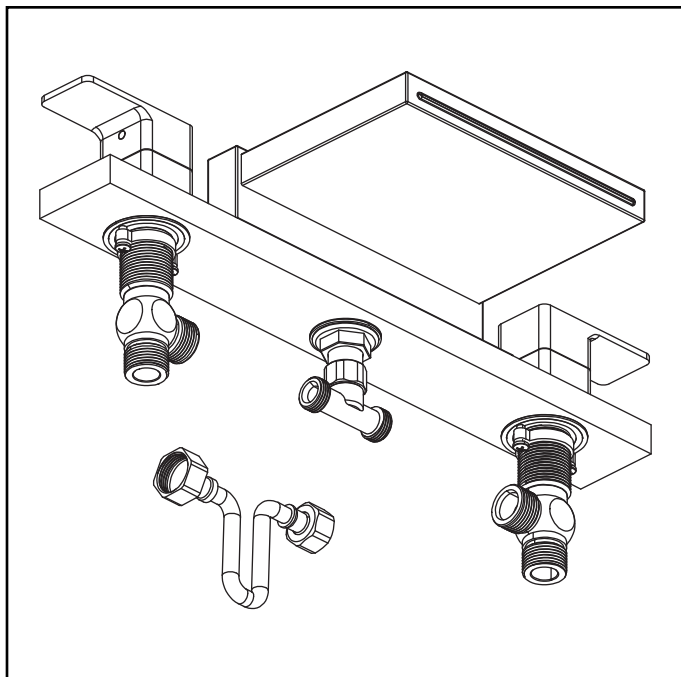
Tighten Handle or external body of cascade



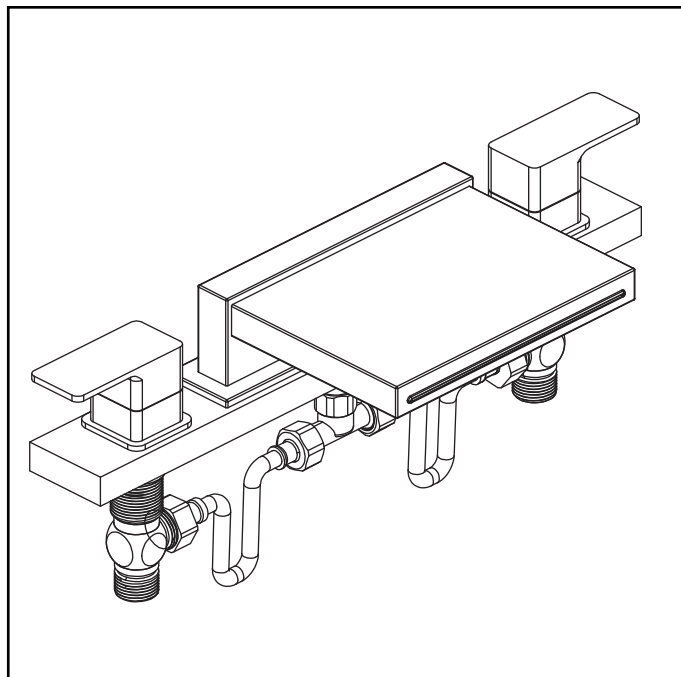
Insert spout into deck hole, then insert washer and tighten retaining nut & T-fitting



INSTALLING THE HOT & COLD HANDLES



Connect Hot-side connection



Connect Cold-side connection