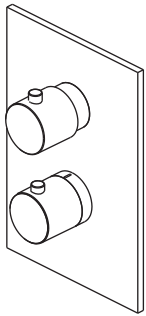


Installation Manual - 4000T

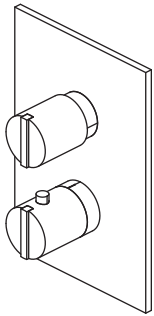
[100, 145, 150, 160, 196, 240, 250, 270]

Thermostatic Valve Trim & Handle Set

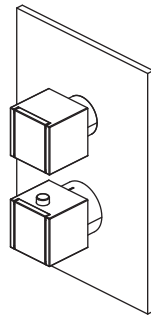
Use With TVH.4101, TVH.4420F, TVH.4301F Valves



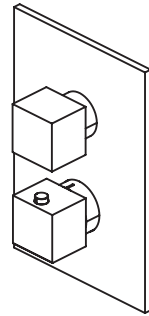
[100.4000T]



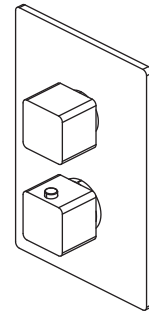
[145.4000T]



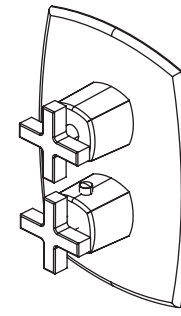
[150.4000T]



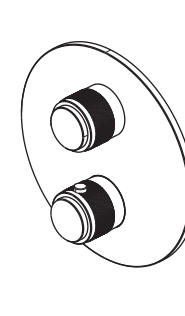
[160.4000T]



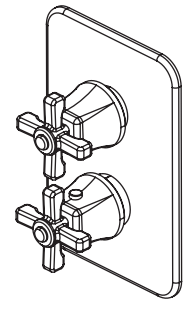
[196.4000T]



[240.4000T]



[250.4000T]

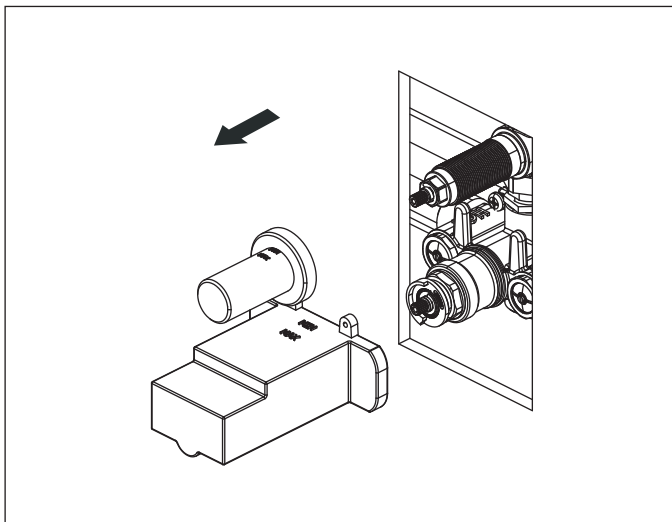


[270.4000T]

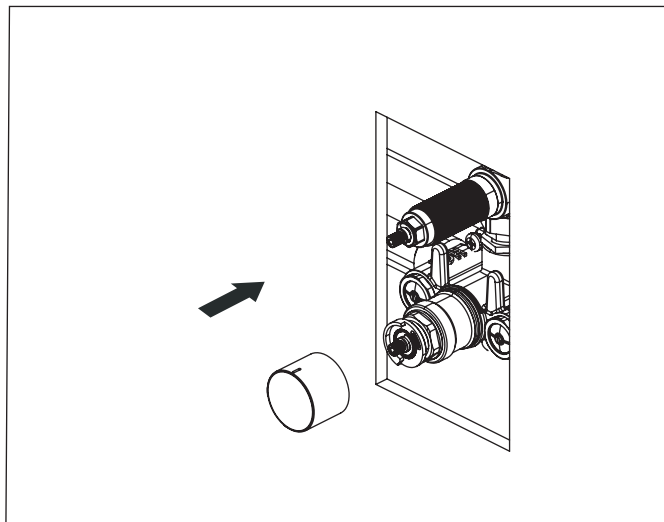
BEFORE YOU BEGIN

- You must observe all local plumbing laws and codes.
- Do not install this valve if it does not meet local plumbing codes.
- Shut off the main water supply.

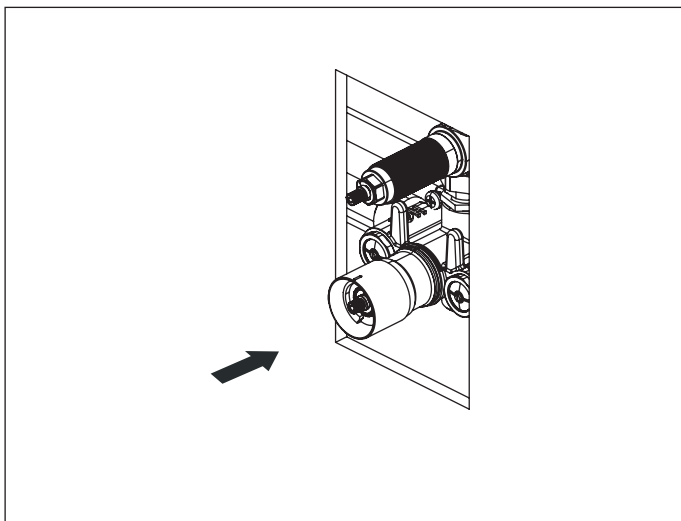
INSTALLING THE TRIM - TRIM PLATE SIZE AND SHAPE MAY VARY - ILLUSTRATION ONLY



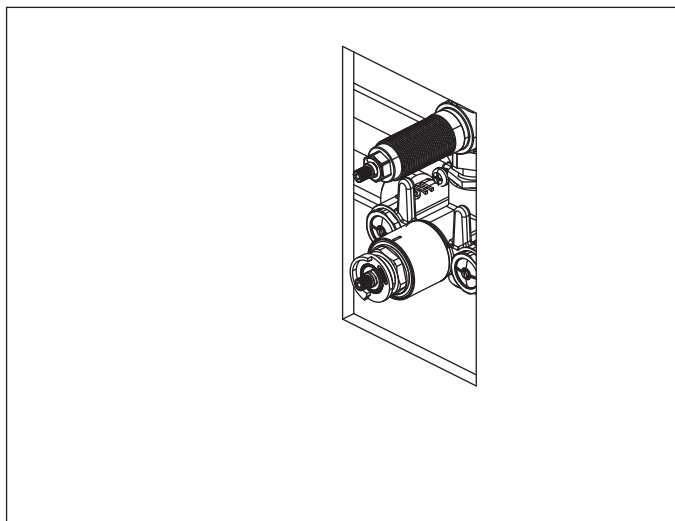
Remove mud guards



Install 42mm ring

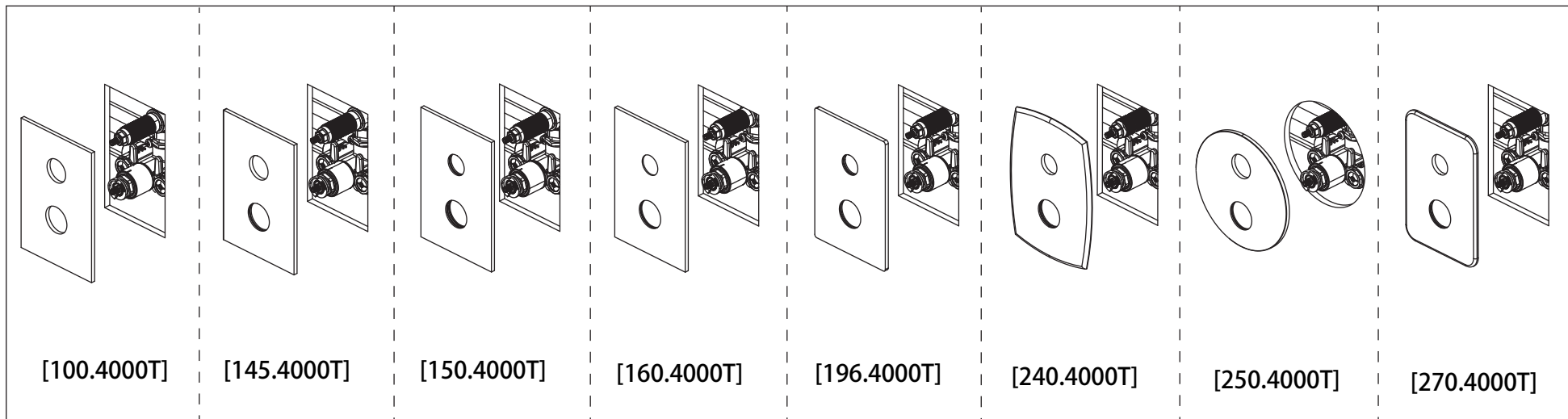


A hard push may be required

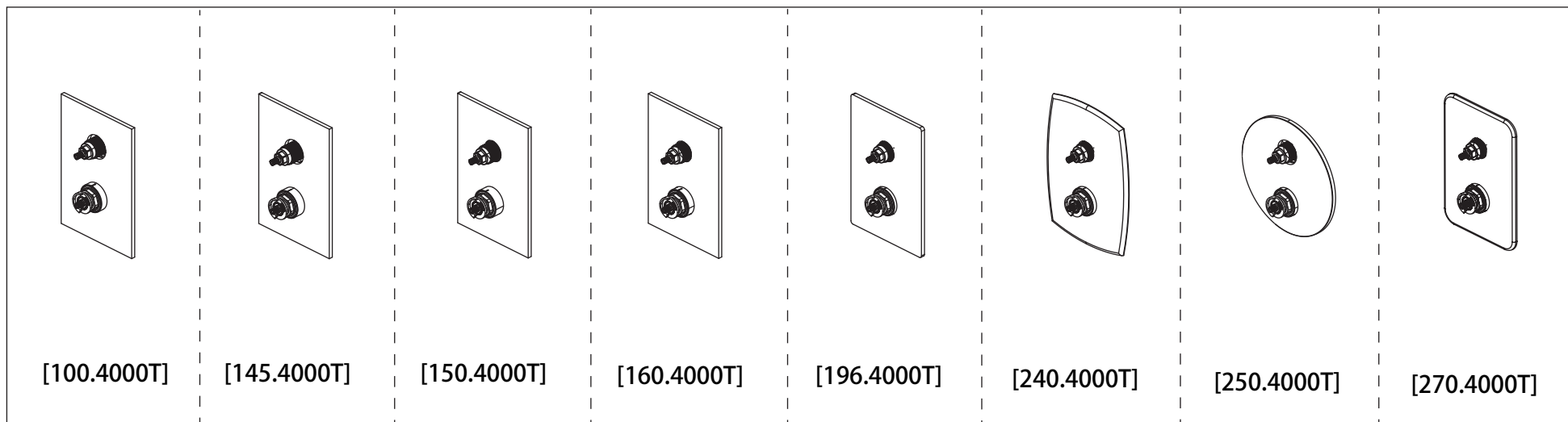


The 42mm ring must be fully flush to ensure the handle fits correctly.

INSTALLING THE TRIM - TRIM PLATE SIZE AND SHAPE MAY VARY - ILLUSTRATION ONLY

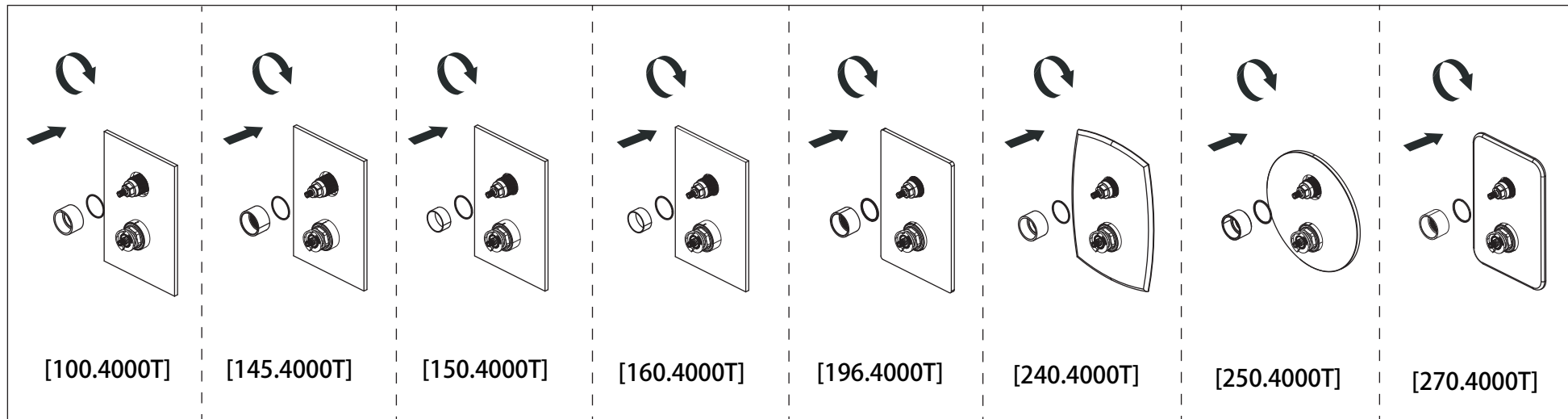


Insert trim plate

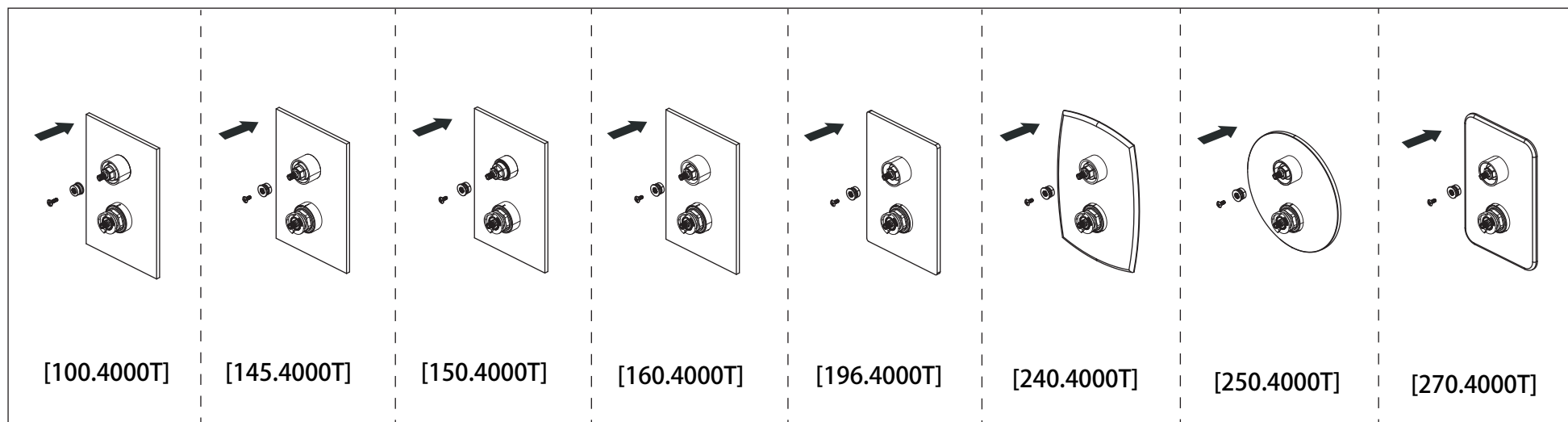


Align plate till it is straight

INSTALLING THE TRIM - TRIM PLATE SIZE AND SHAPE MAY VARY - ILLUSTRATION ONLY

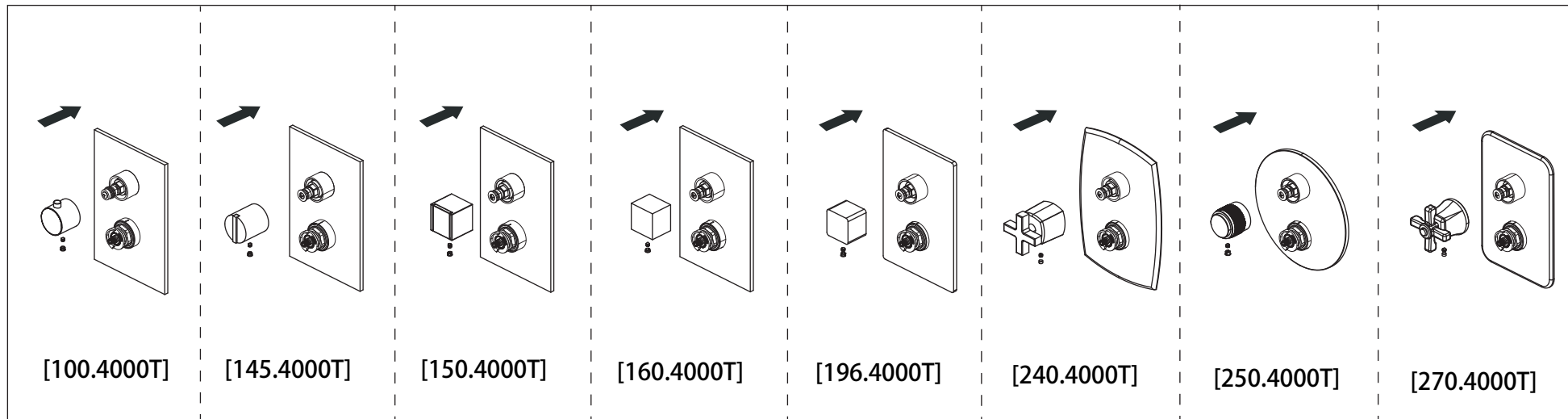


Insert adapter base and tighten

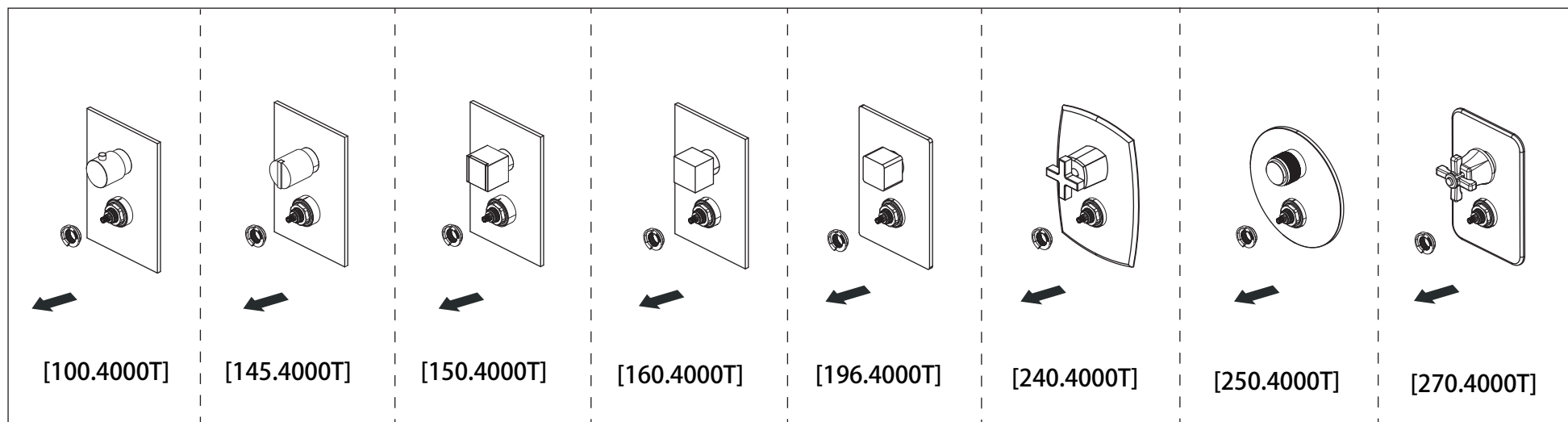


Insert centring knob & screws.

INSTALLING THE TRIM - TRIM PLATE SIZE AND SHAPE MAY VARY - ILLUSTRATION ONLY

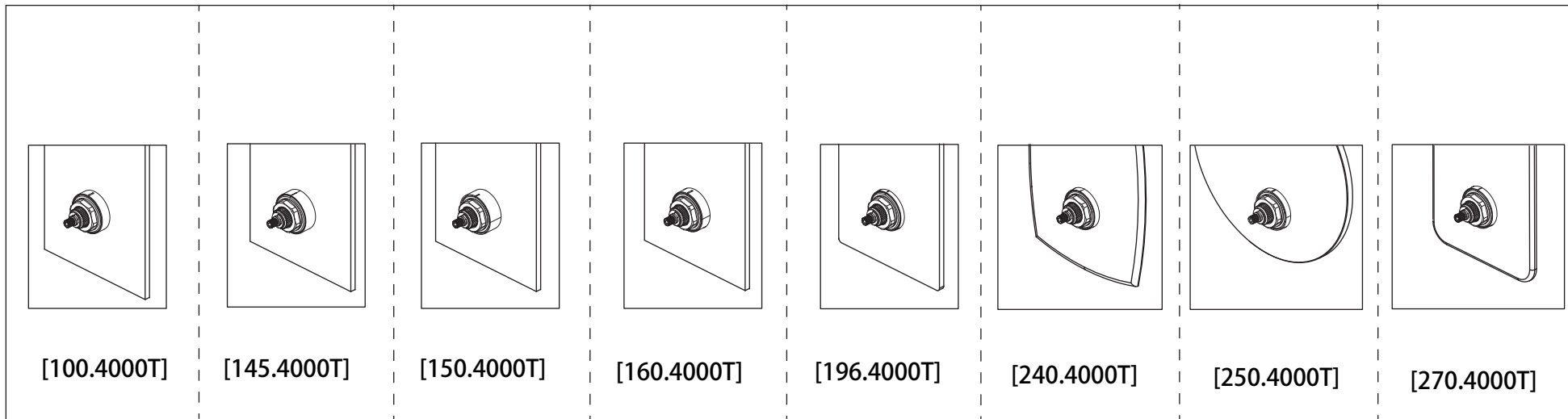


Attach the volume handle, secure it by tightening the hex screw, and insert the cover button.

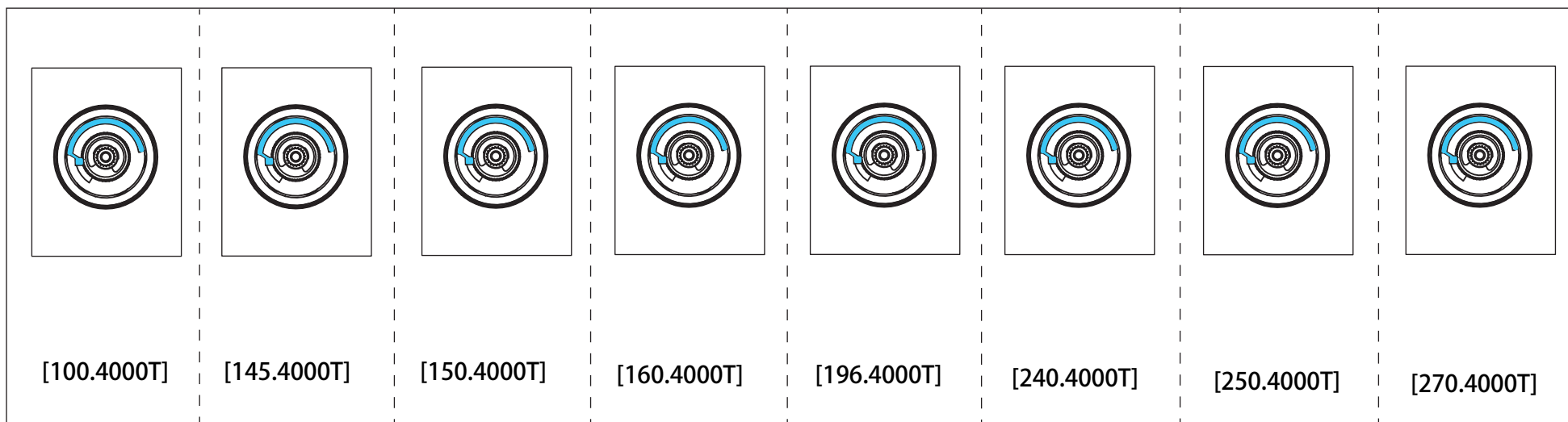


Remove the anti-scald temperature ring, adjust it to the correct position, and reinsert it as shown in the reference image.

INSTALLING THE TRIM - TRIM PLATE SIZE AND SHAPE MAY VARY - ILLUSTRATION ONLY

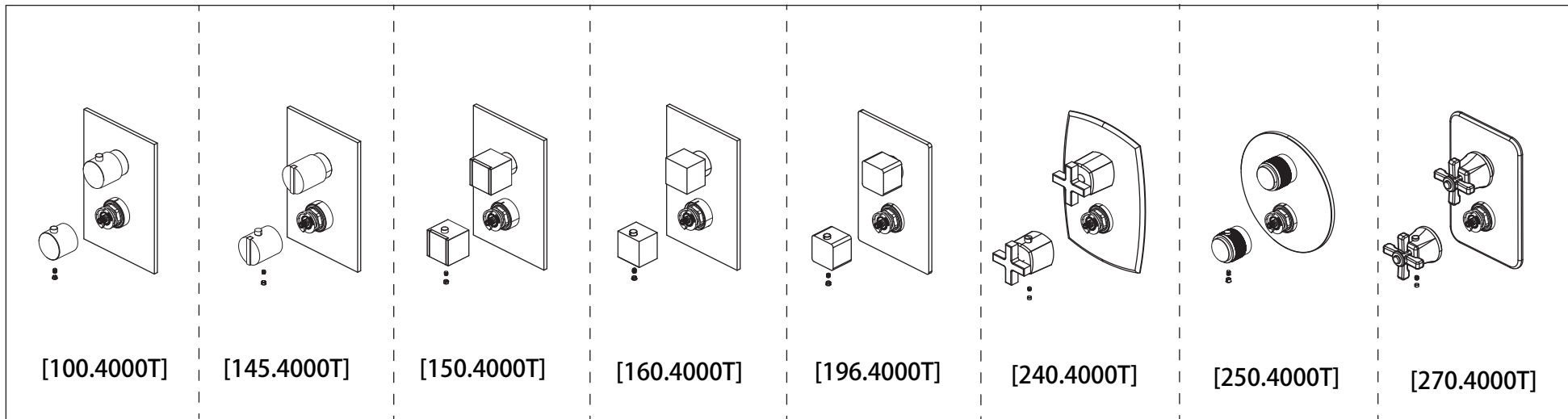


Calibrate the cartridge before attaching the temperature handle, ensuring the red marks are aligned.

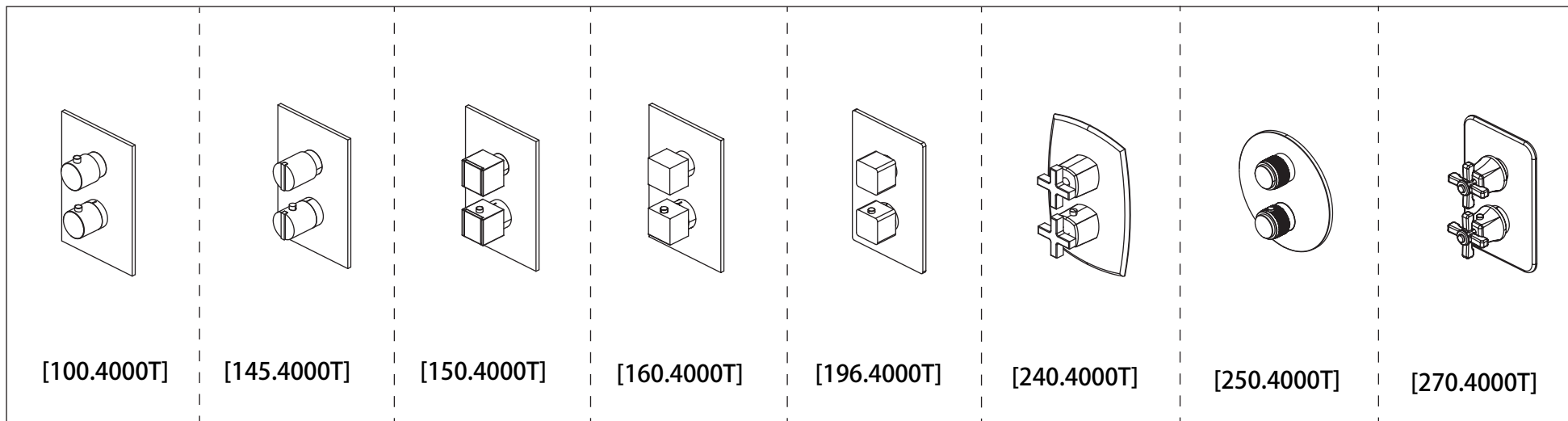


Reinsert the anti-scald temperature ring properly in the correct position.

INSTALLING THE TRIM - TRIM PLATE SIZE AND SHAPE MAY VARY - ILLUSTRATION ONLY



Attach the temperature handle, secure it by tightening the hex screw, and insert the cover button.



This image illustrates the trim fully installed.