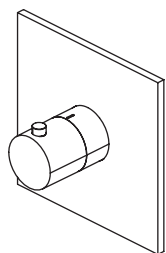


Installation Manual - 4201T

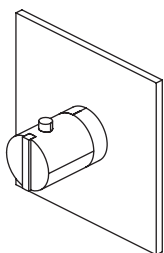
[100, 145, 150, 160, 196, 230, 240, 260, 270]

Thermostatic Valve Trim & Handle Set

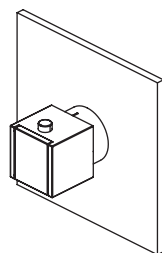
Use With TVH.4201 Valves



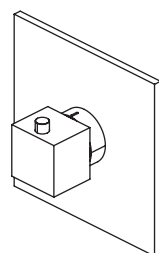
[100.4201T]



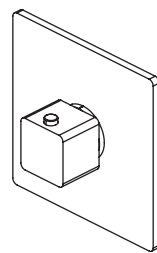
[145.4201T]



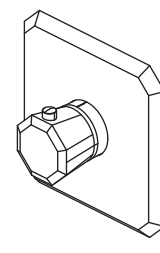
[150.4201T]



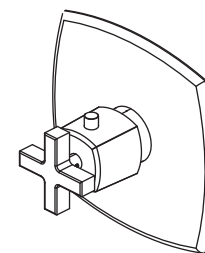
[160.4201T]



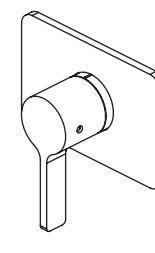
[196.4201T]



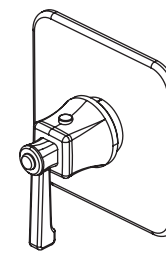
[230.4201T]



[240.4201T]



[260.4201T]

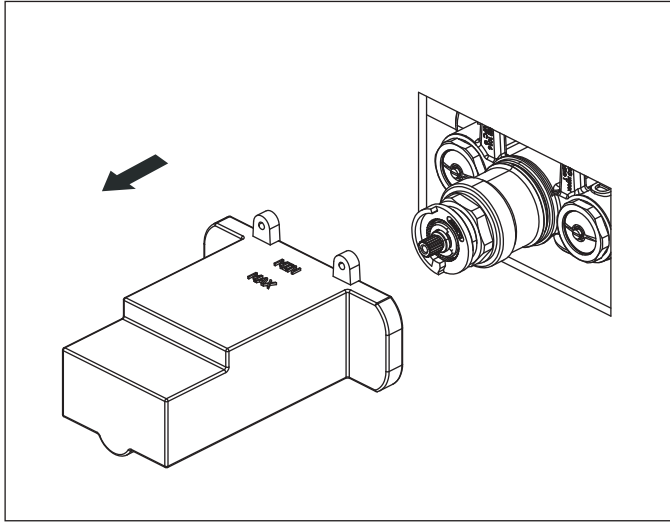


[270.4201T]

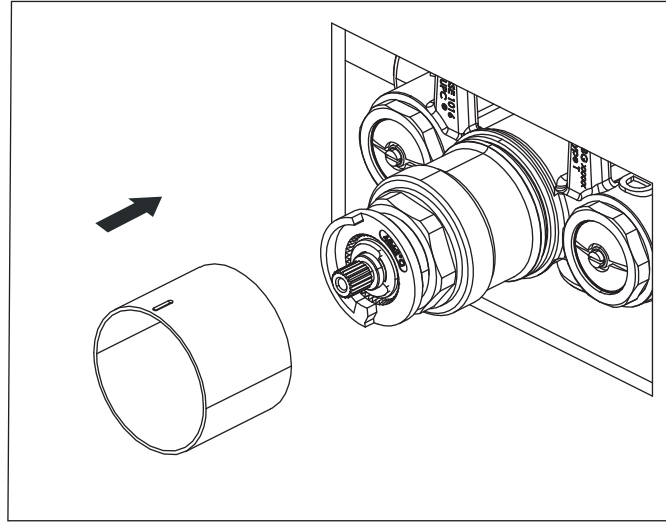
BEFORE YOU BEGIN

- You must observe all local plumbing laws and codes.
- Do not install this valve if it does not meet local plumbing codes.
- Shut off the main water supply.

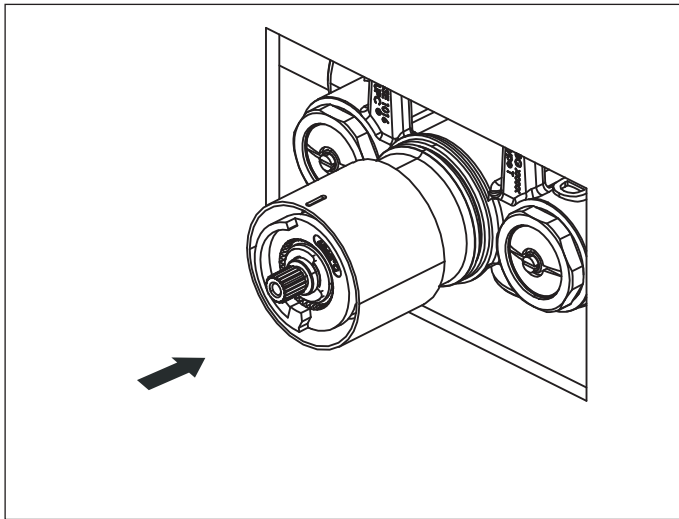
INSTALLING THE TRIM - TRIM PLATE SIZE AND SHAPE MAY VARY - ILLUSTRATION ONLY



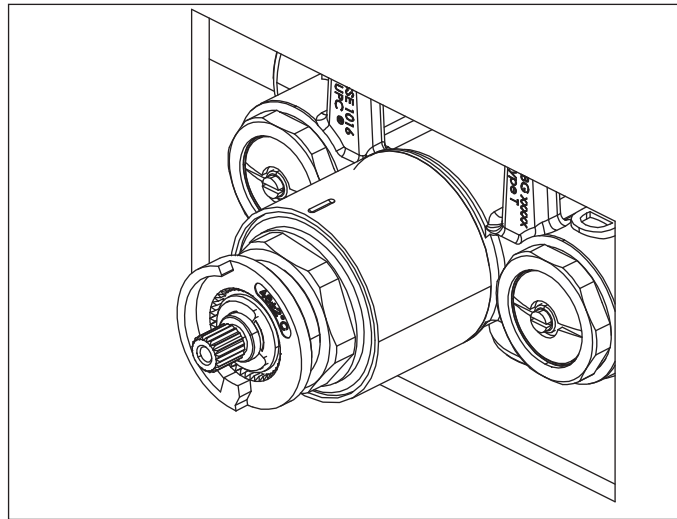
Remove mud guards



Install 42mm ring

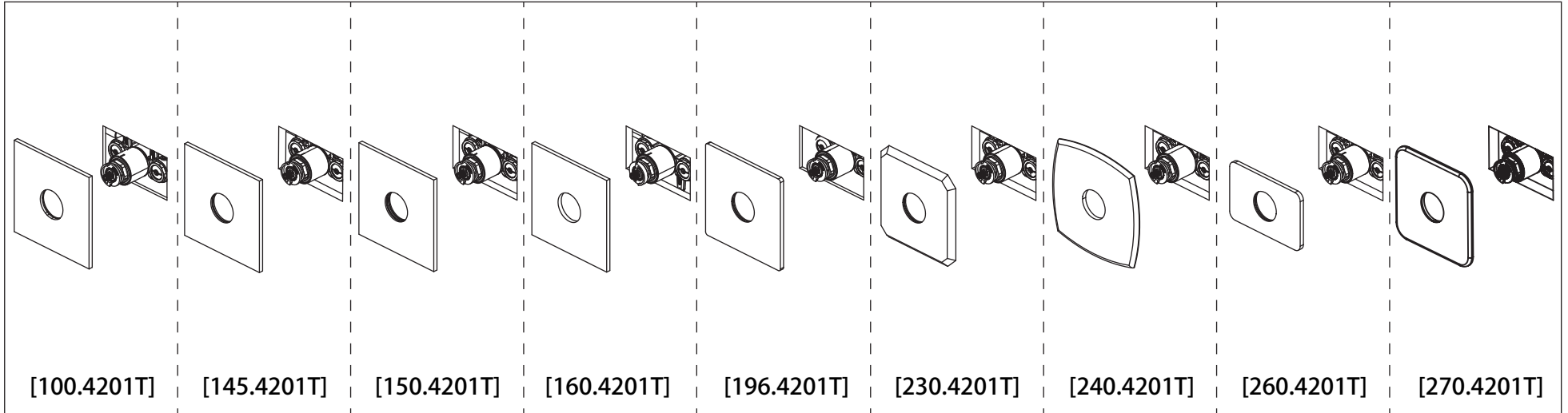


A hard push may be required

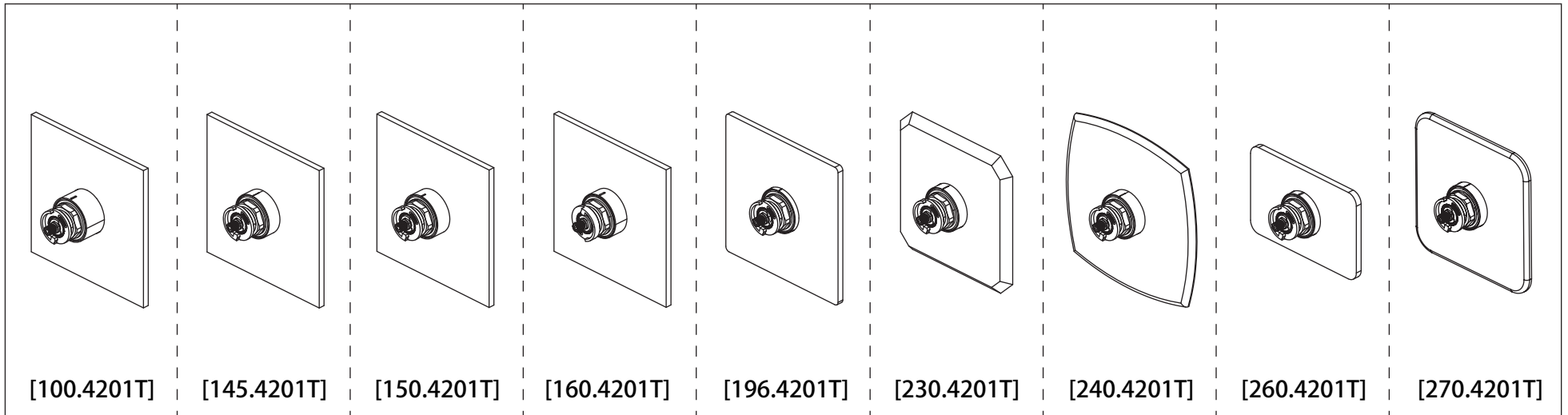


The 42mm ring must be fully flush to ensure the handle fits correctly.

INSTALLING THE TRIM - TRIM PLATE SIZE AND SHAPE MAY VARY - ILLUSTRATION ONLY

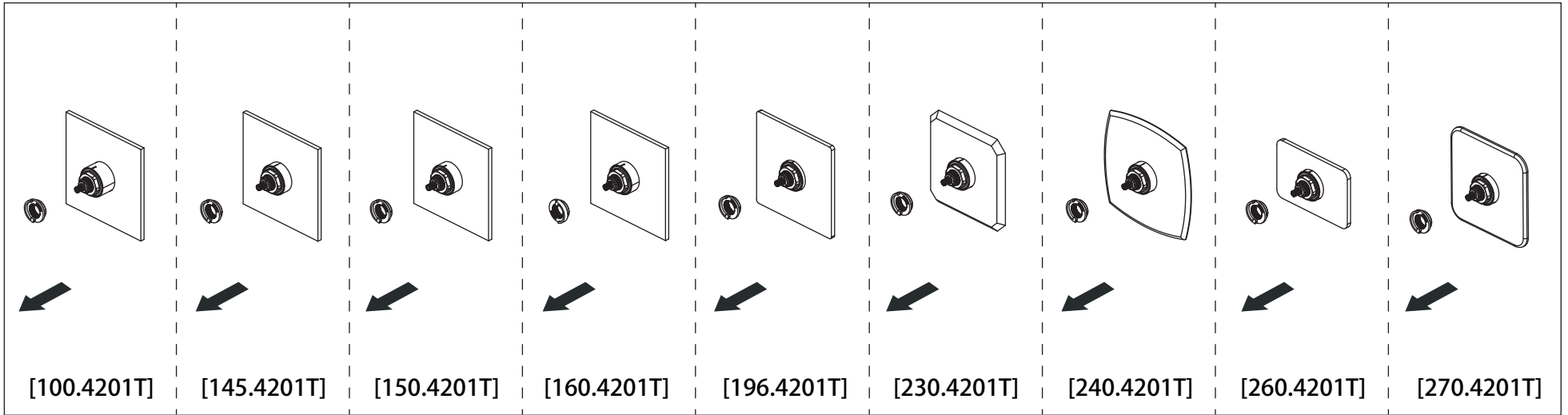


Insert trim plate

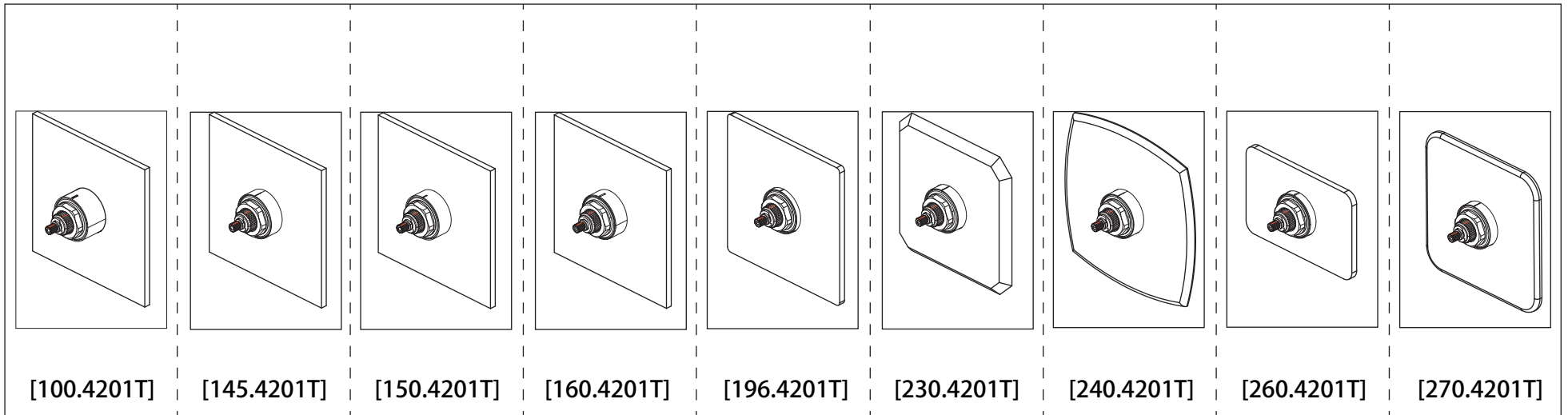


Align plate till it is straight

INSTALLING THE TRIM - TRIM PLATE SIZE AND SHAPE MAY VARY - ILLUSTRATION ONLY

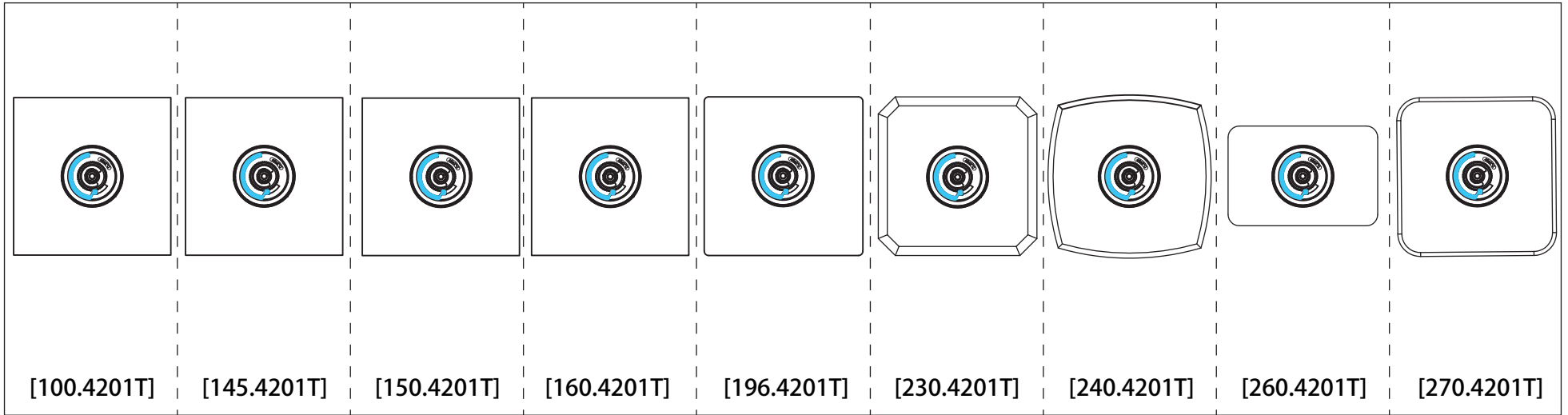


Remove the anti-scald temperature ring, adjust it to the correct position, and reinsert it as shown in the reference image.

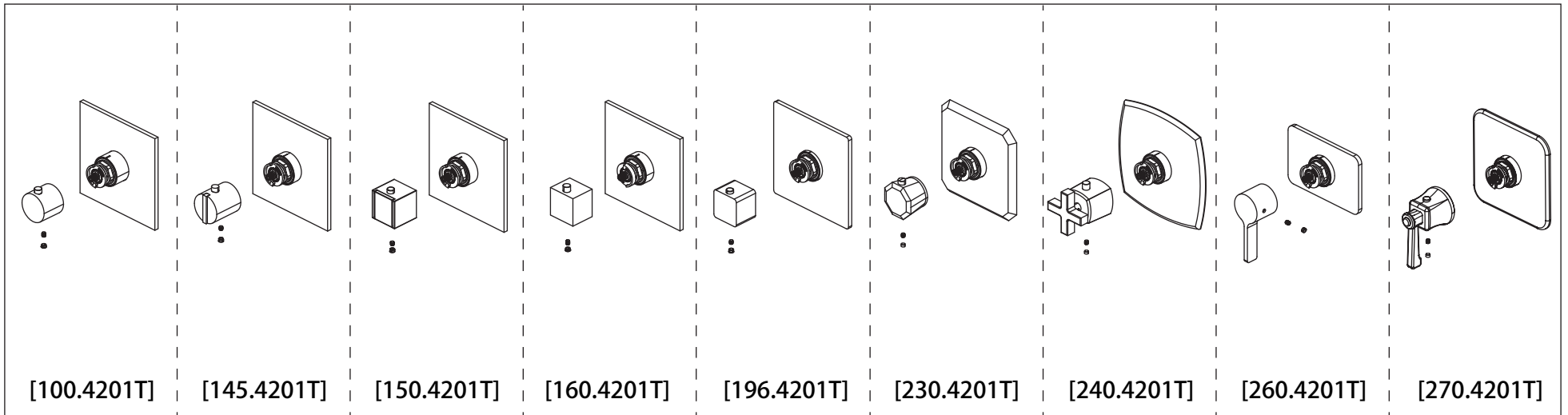


Calibrate the cartridge before attaching the temperature handle, ensuring the red marks are aligned.

INSTALLING THE TRIM - TRIM PLATE SIZE AND SHAPE MAY VARY - ILLUSTRATION ONLY

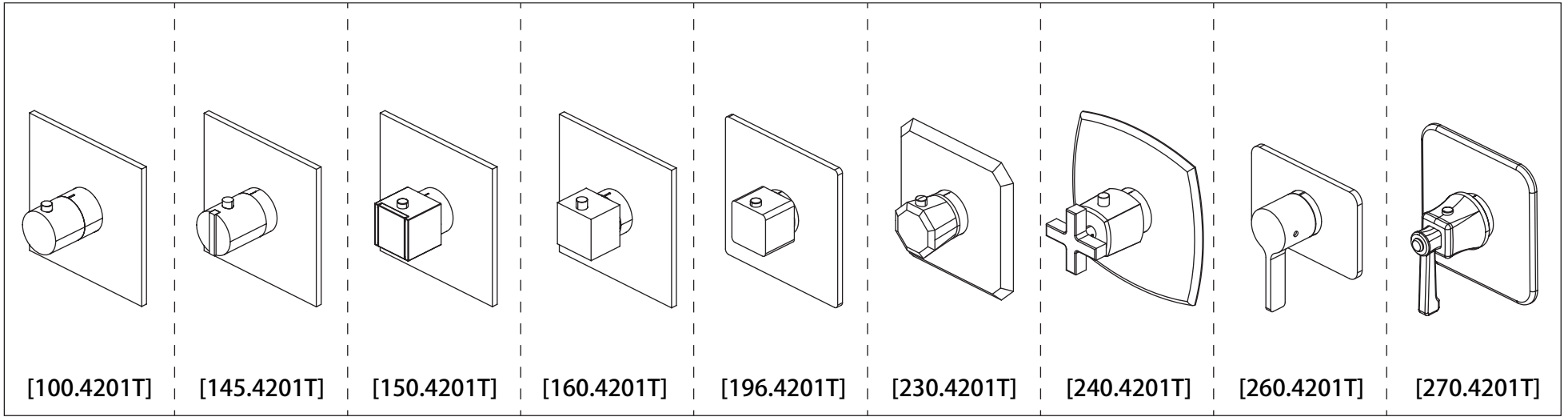


Reinsert the anti-scald temperature ring properly in the correct position.



Attach the temperature handle, secure it by tightening the hex screw, and insert the cover button.

INSTALLING THE TRIM - TRIM PLATE SIZE AND SHAPE MAY VARY - ILLUSTRATION ONLY



This image illustrates the trim fully installed.