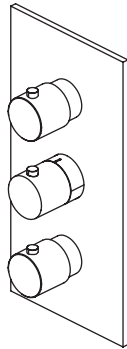


# Installation Manual - 4500T

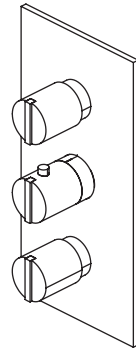
[100, 145, 150, 160, 196]

## Thermostatic Valve Trim & Handle Set

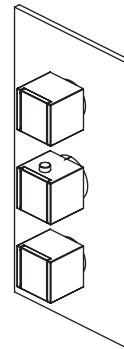
Use With TVH.4401, TVH.4501, & TVH.4801 Valves



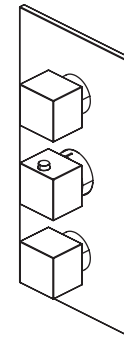
[100.4500T]



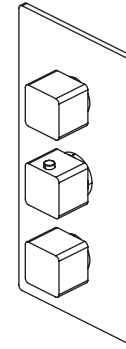
[145.4500T]



[150.4500T]



[160.4500T]

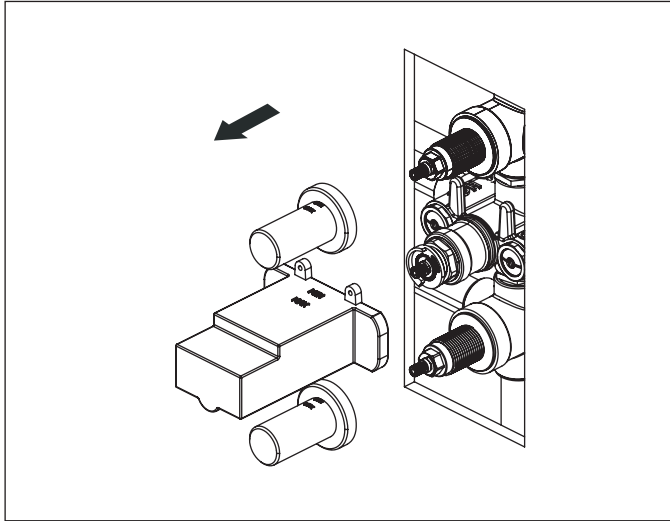


[196.4500T]

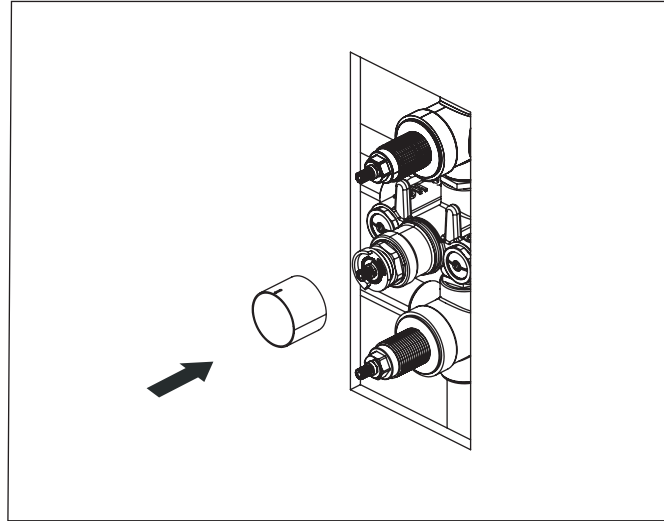
### BEFORE YOU BEGIN

- You must observe all local plumbing laws and codes.
- Do not install this valve if it does not meet local plumbing codes.
- Shut off the main water supply.

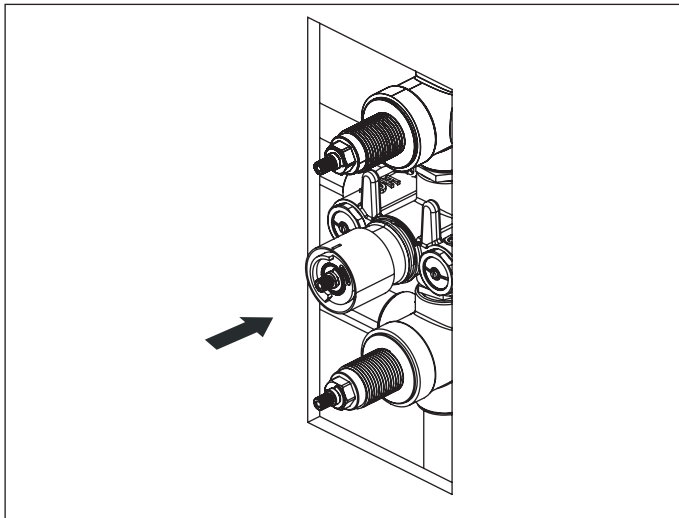
**INSTALLING THE TRIM - TRIM PLATE SIZE AND SHAPE MAY VARY - ILLUSTRATION ONLY**



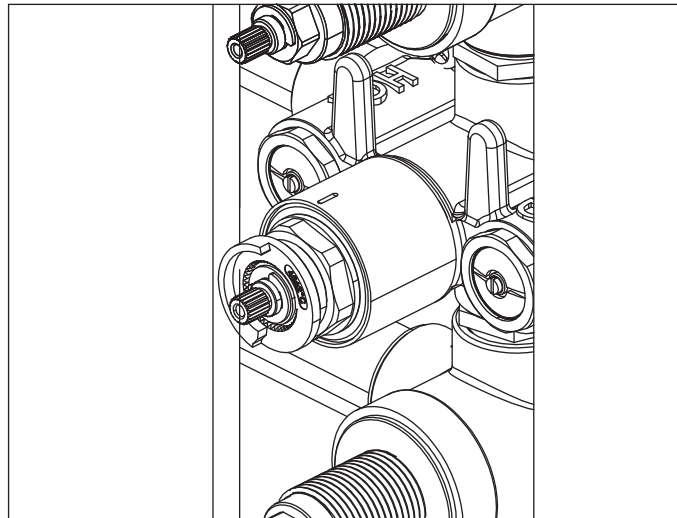
Remove mud guards



Install 42mm ring

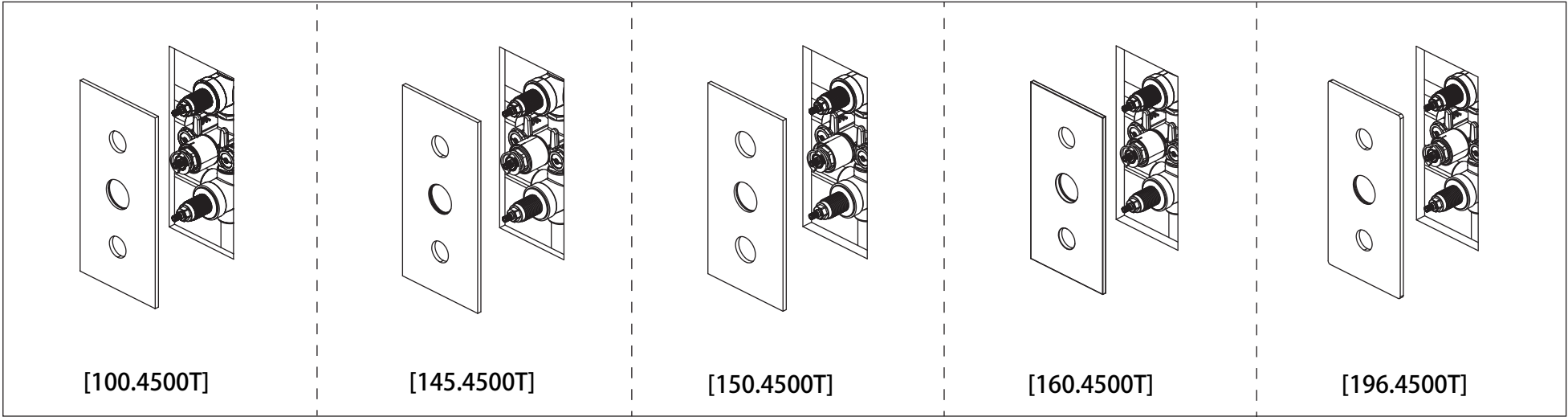


A hard push may be required

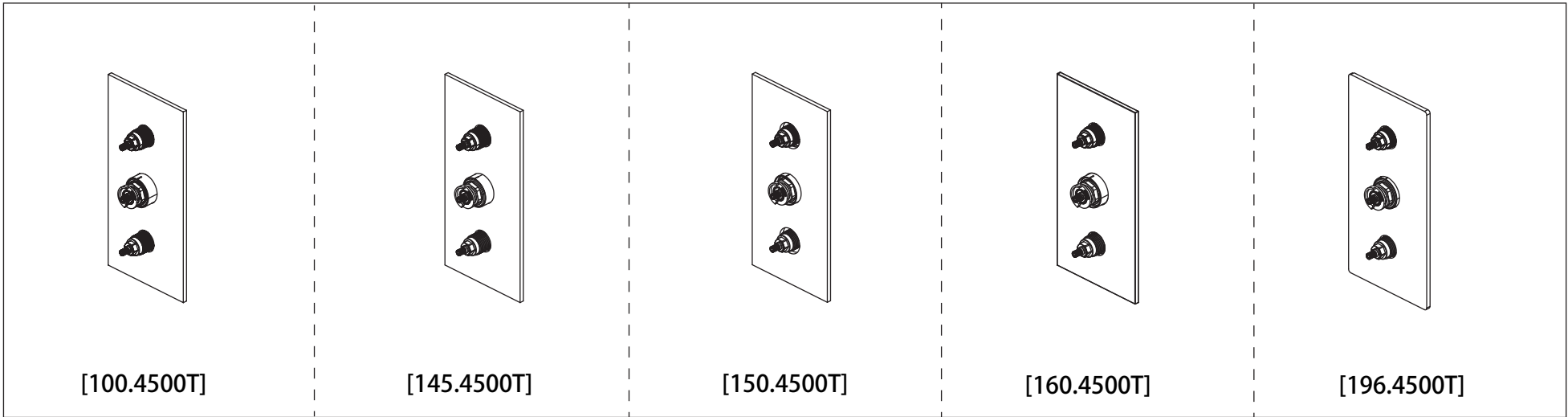


The 42mm ring must be fully flush to ensure the handle fits correctly.

**INSTALLING THE TRIM - TRIM PLATE SIZE AND SHAPE MAY VARY - ILLUSTRATION ONLY**

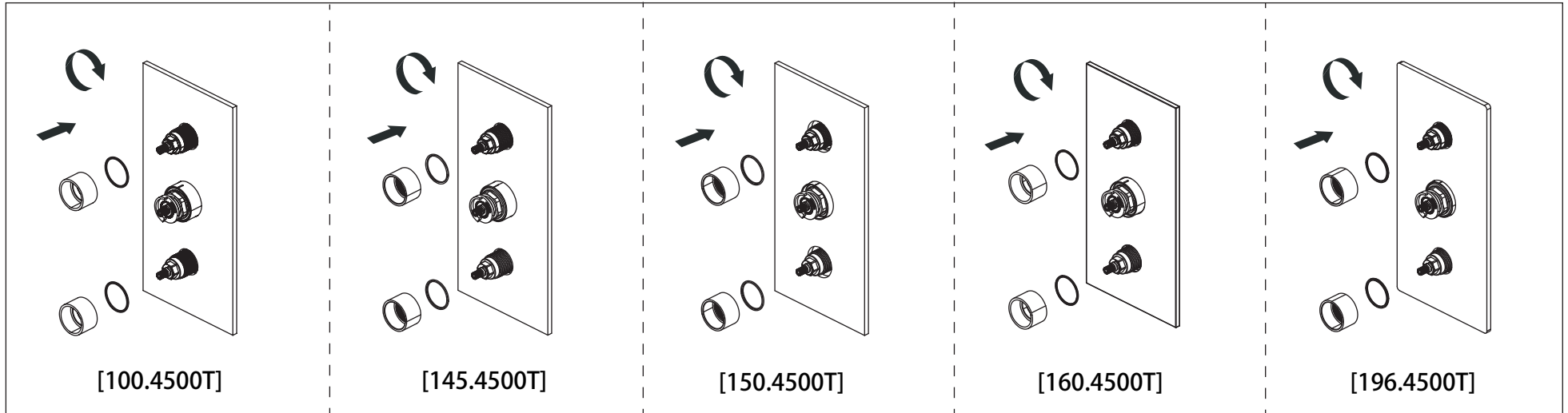


Insert trim plate

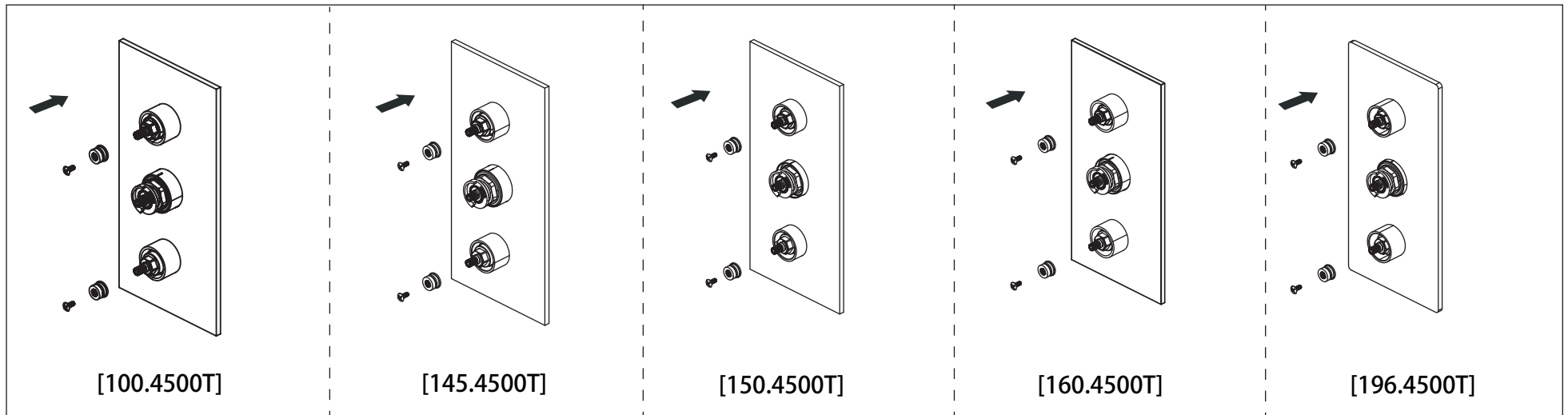


Align plate till it is straight

**INSTALLING THE TRIM - TRIM PLATE SIZE AND SHAPE MAY VARY - ILLUSTRATION ONLY**

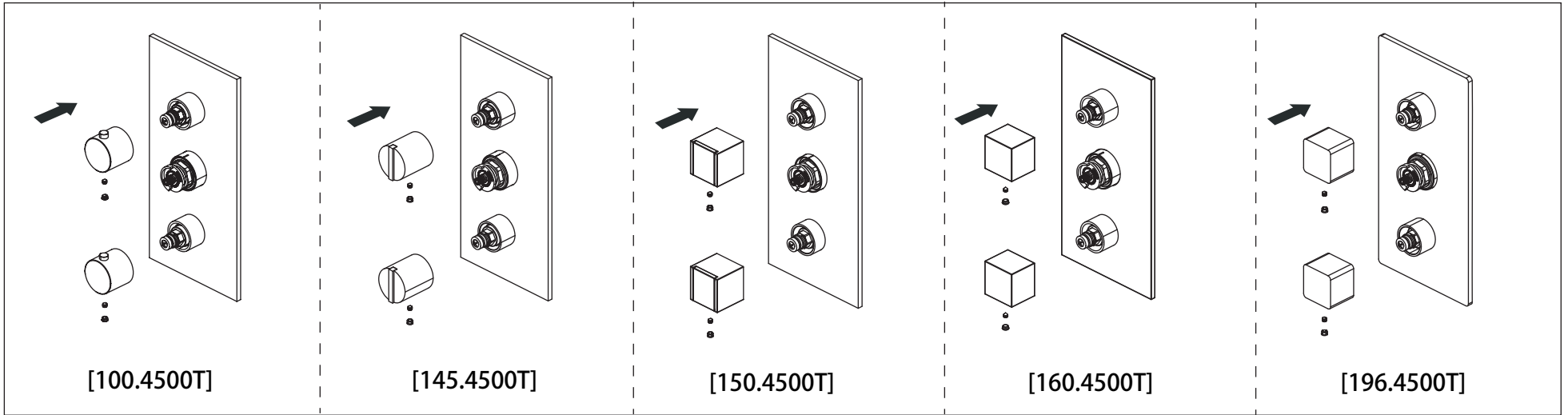


**Insert adapter base and tighten**

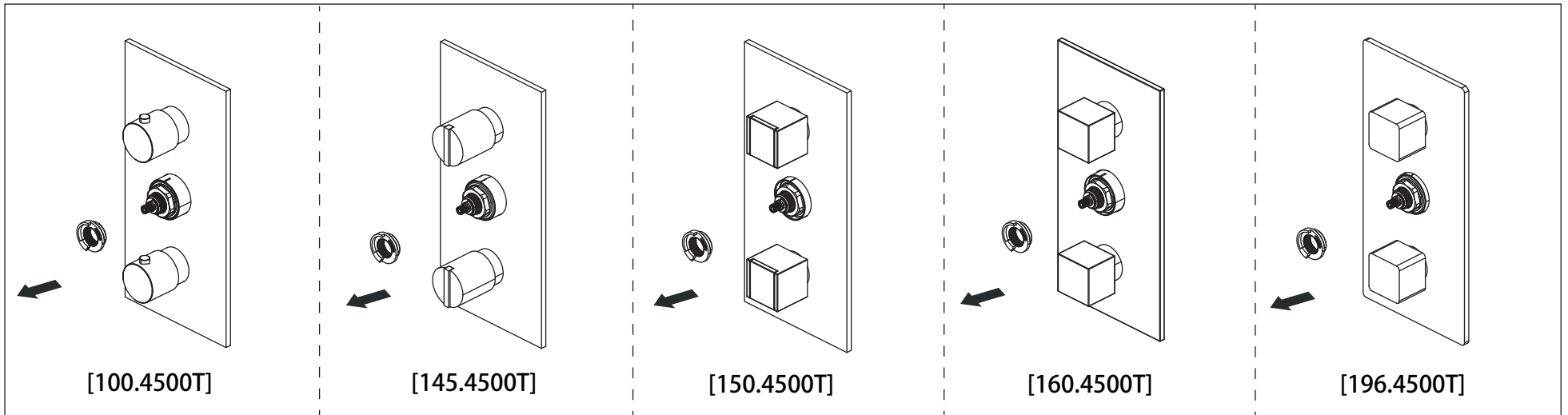


**Insert centring knob & screws.**

**INSTALLING THE TRIM - TRIM PLATE SIZE AND SHAPE MAY VARY - ILLUSTRATION ONLY**

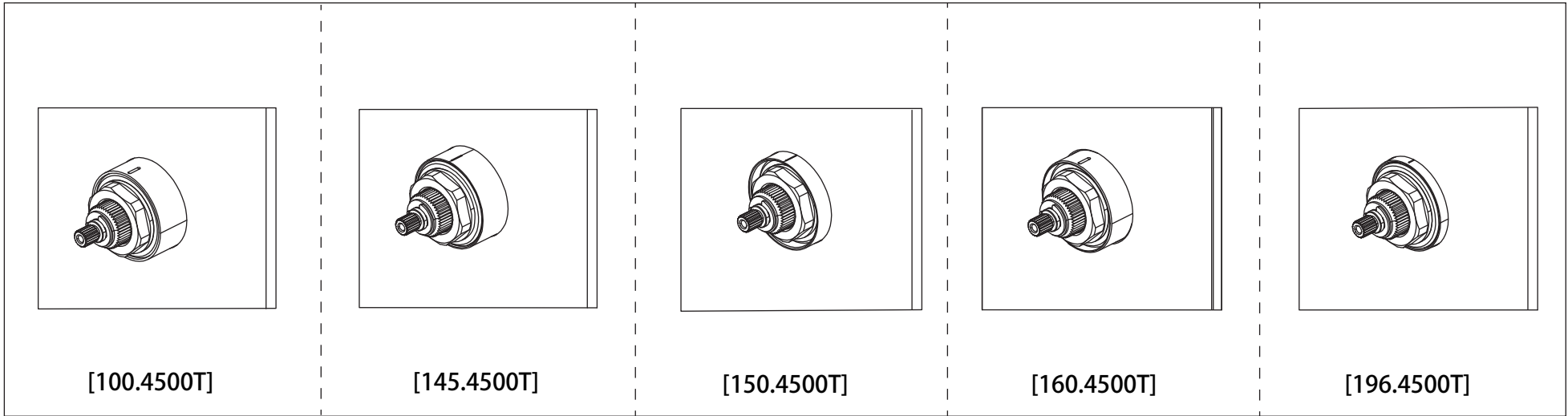


Attach the volume handle, secure it by tightening the hex screw, and insert the cover button.

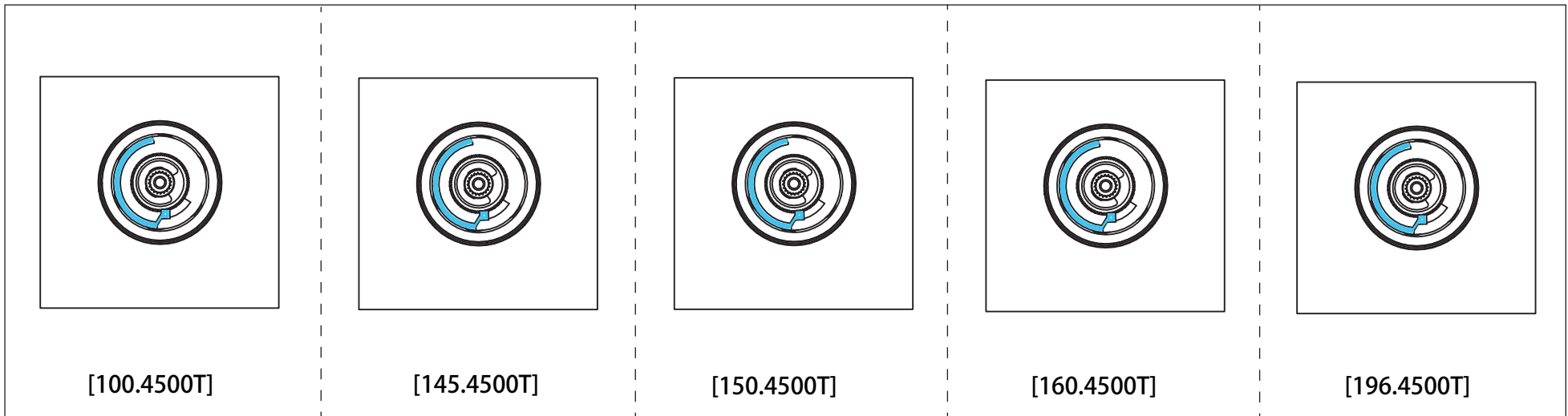


Remove the anti-scald temperature ring, adjust it to the correct position, and reinsert it as shown in the reference image.

**INSTALLING THE TRIM - TRIM PLATE SIZE AND SHAPE MAY VARY - ILLUSTRATION ONLY**

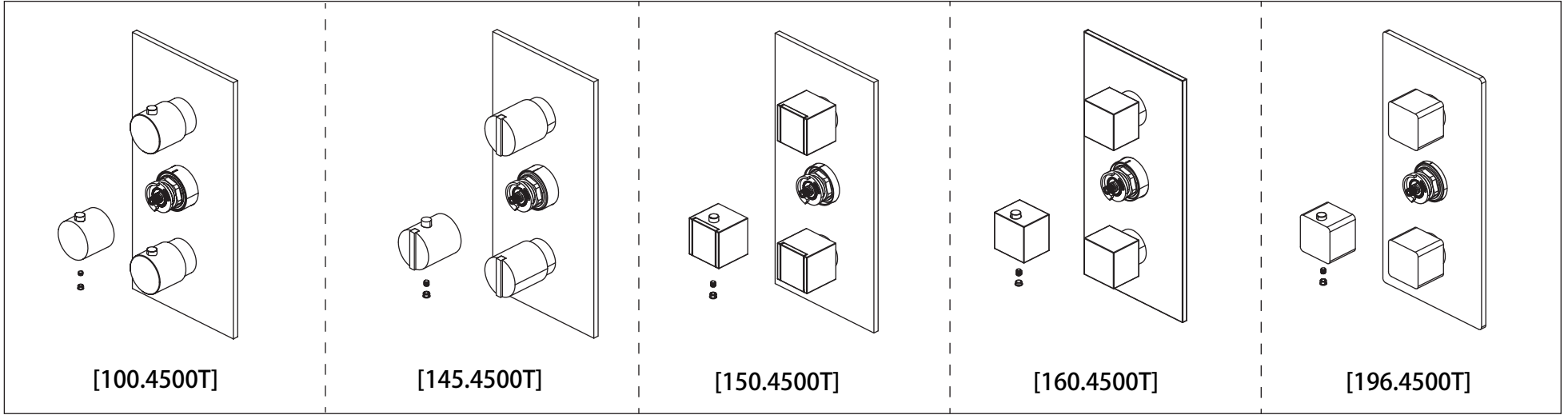


Calibrate the cartridge before attaching the temperature handle, ensuring the red marks are aligned.

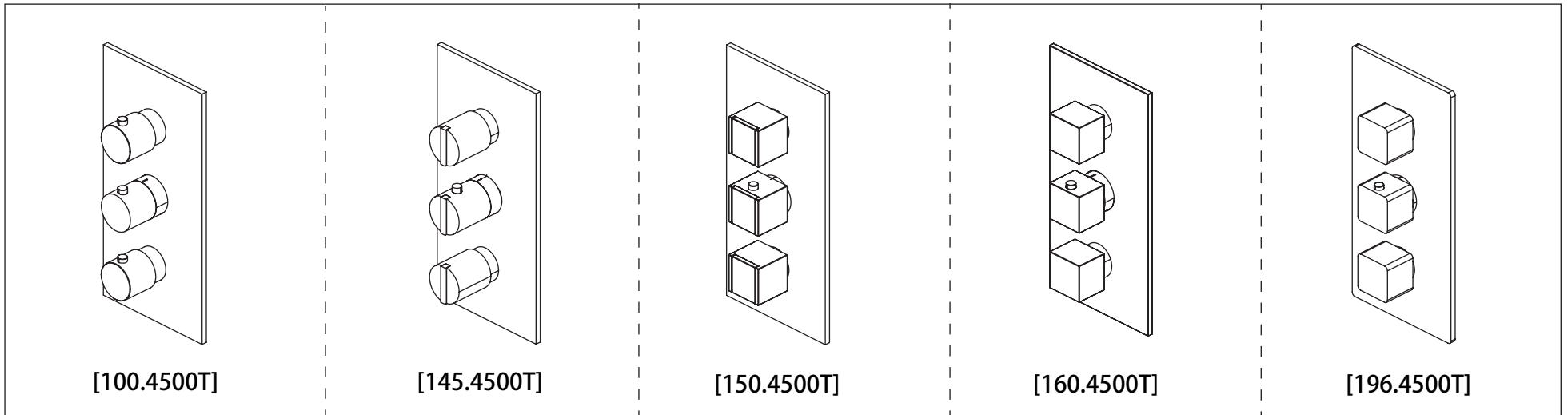


Reinsert the anti-scald temperature ring properly in the correct position.

**INSTALLING THE TRIM - TRIM PLATE SIZE AND SHAPE MAY VARY - ILLUSTRATION ONLY**



Attach the temperature handle, secure it by tightening the hex screw, and insert the cover button.



This image illustrates the trim fully installed.