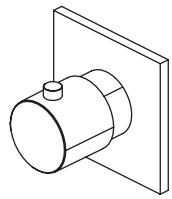


Installation Manual - 4511T

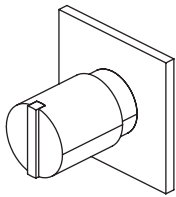
[100, 145, 150, 160, 196, 230, 240, 260]

Thermostatic Valve Trim & Handle Set

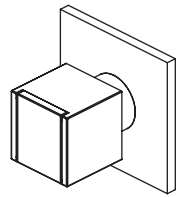
Use With TVH.4511 Valves



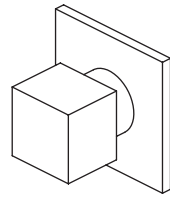
[100.4511T]



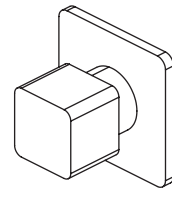
[145.4511T]



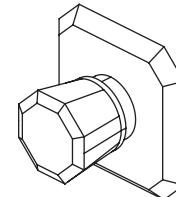
[150.4511T]



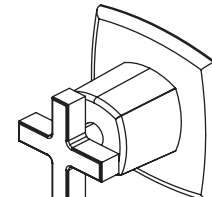
[160.4511T]



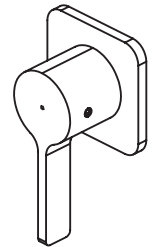
[196.4511T]



[230.4511T]



[240.4511T]

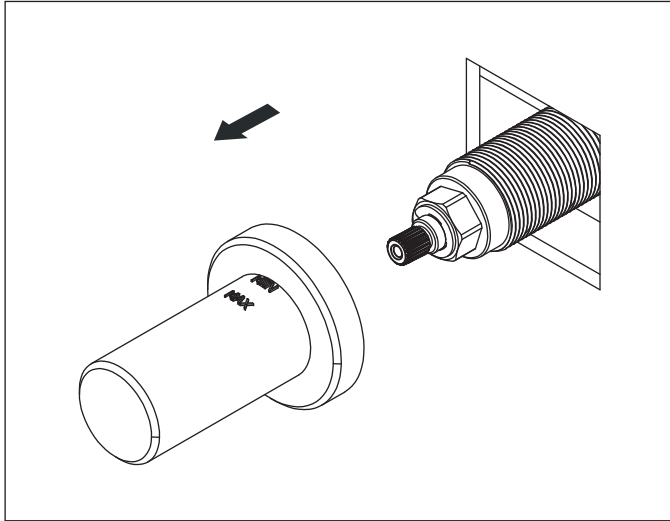


[260.4511T]

BEFORE YOU BEGIN

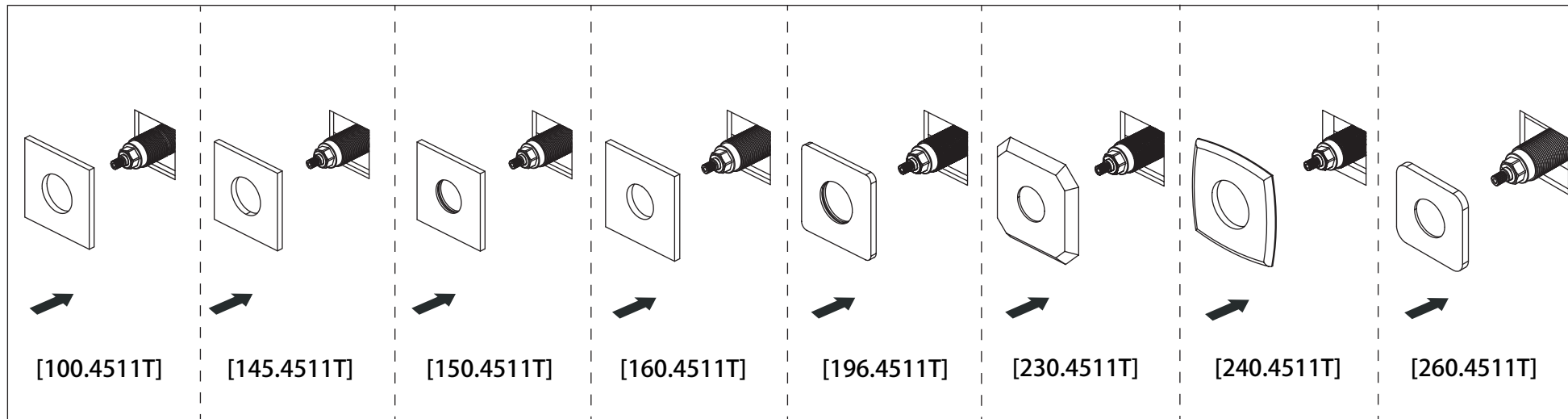
- You must observe all local plumbing laws and codes.
- Do not install this valve if it does not meet local plumbing codes.
- Shut off the main water supply.

INSTALLING THE TRIM - TRIM PLATE SIZE AND SHAPE MAY VARY - ILLUSTRATION ONLY

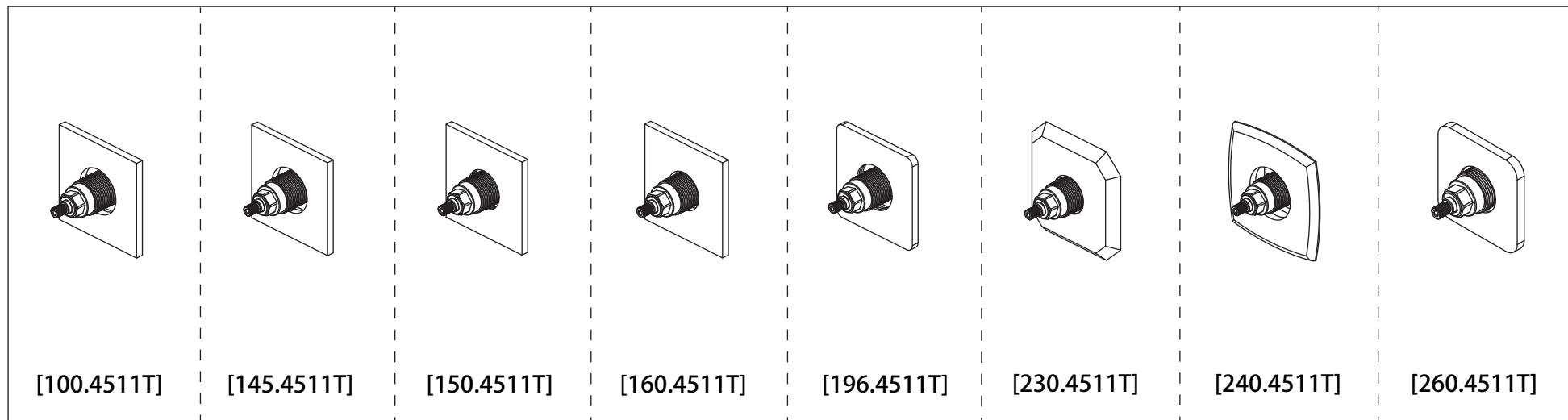


Remove mud guards

INSTALLING THE TRIM - TRIM PLATE SIZE AND SHAPE MAY VARY - ILLUSTRATION ONLY

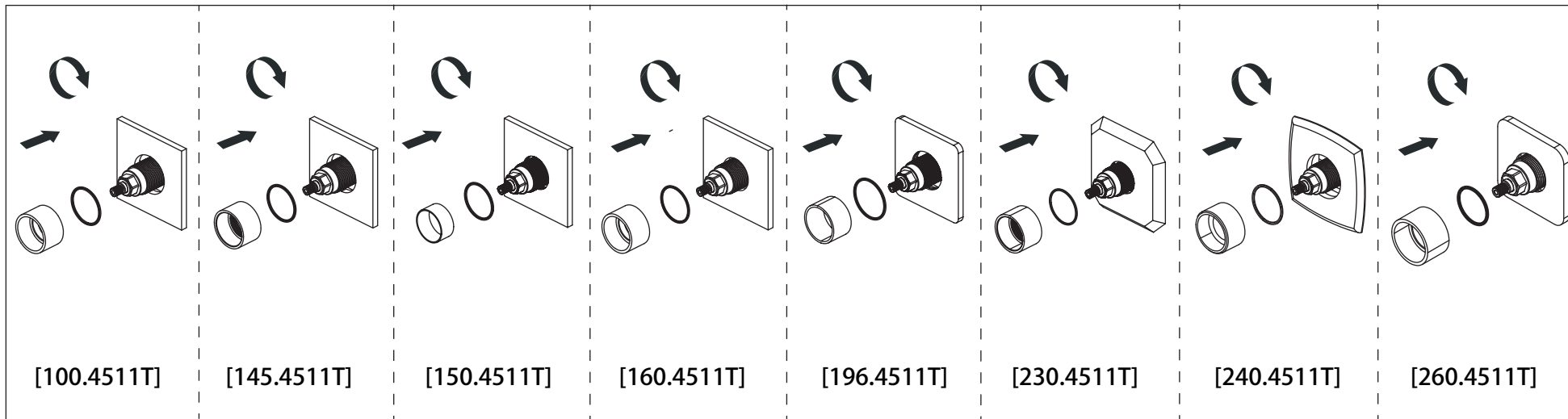


Insert trim plate

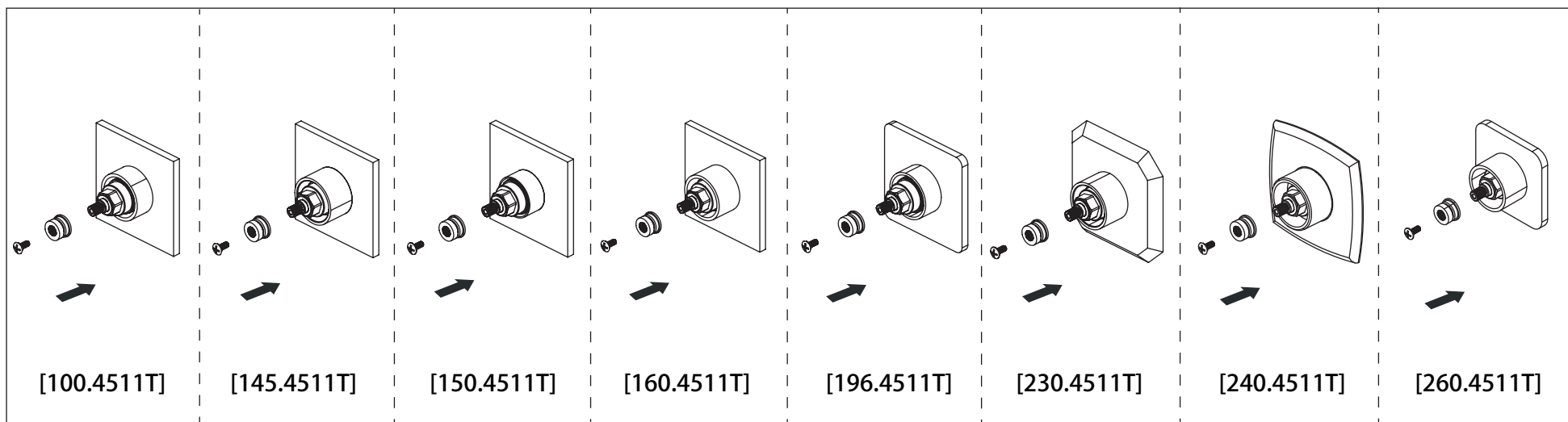


Align plate till it is straight

INSTALLING THE TRIM - TRIM PLATE SIZE AND SHAPE MAY VARY - ILLUSTRATION ONLY

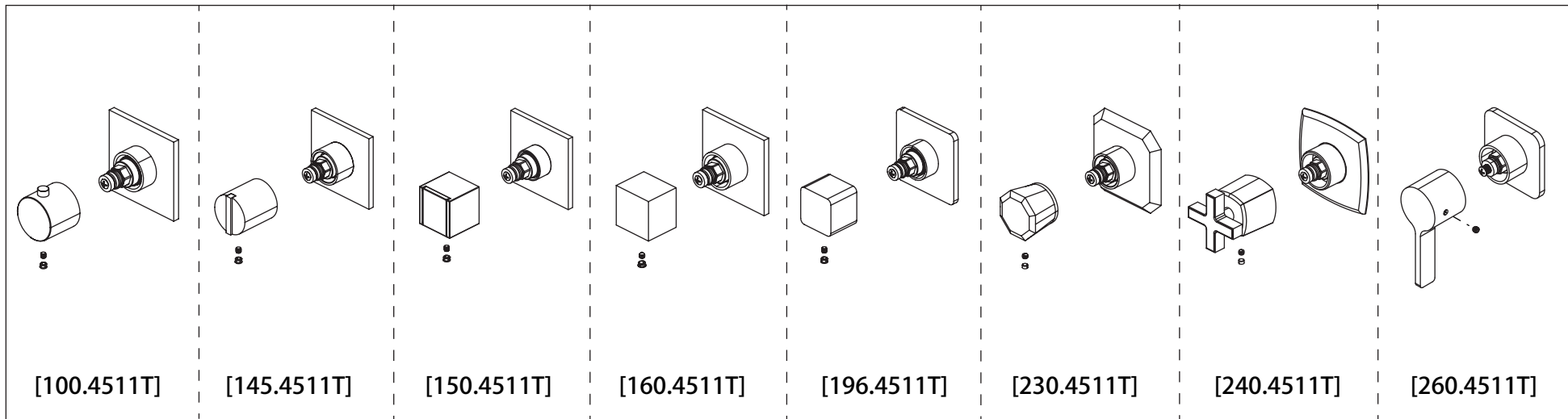


Insert adapter base and tighten

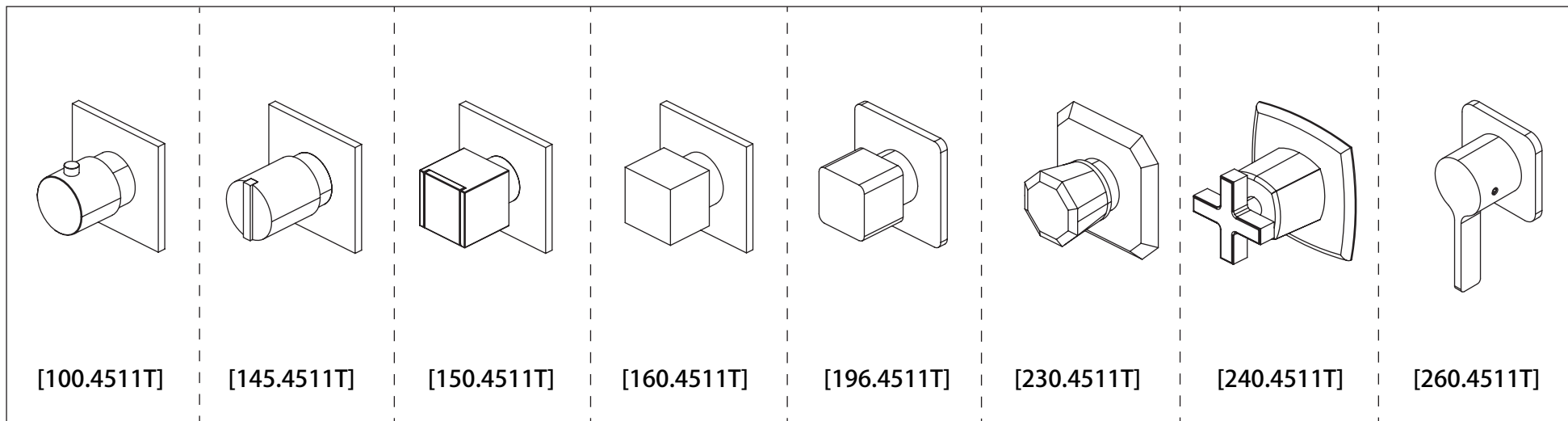


Insert centring knob & screws.

INSTALLING THE TRIM - TRIM PLATE SIZE AND SHAPE MAY VARY - ILLUSTRATION ONLY



Ensure the handle is inserted, the hex screw is tightened, the cover button is in place, and the diverter is set to the "OFF" marking before beginning.



This image illustrates the trim fully installed.