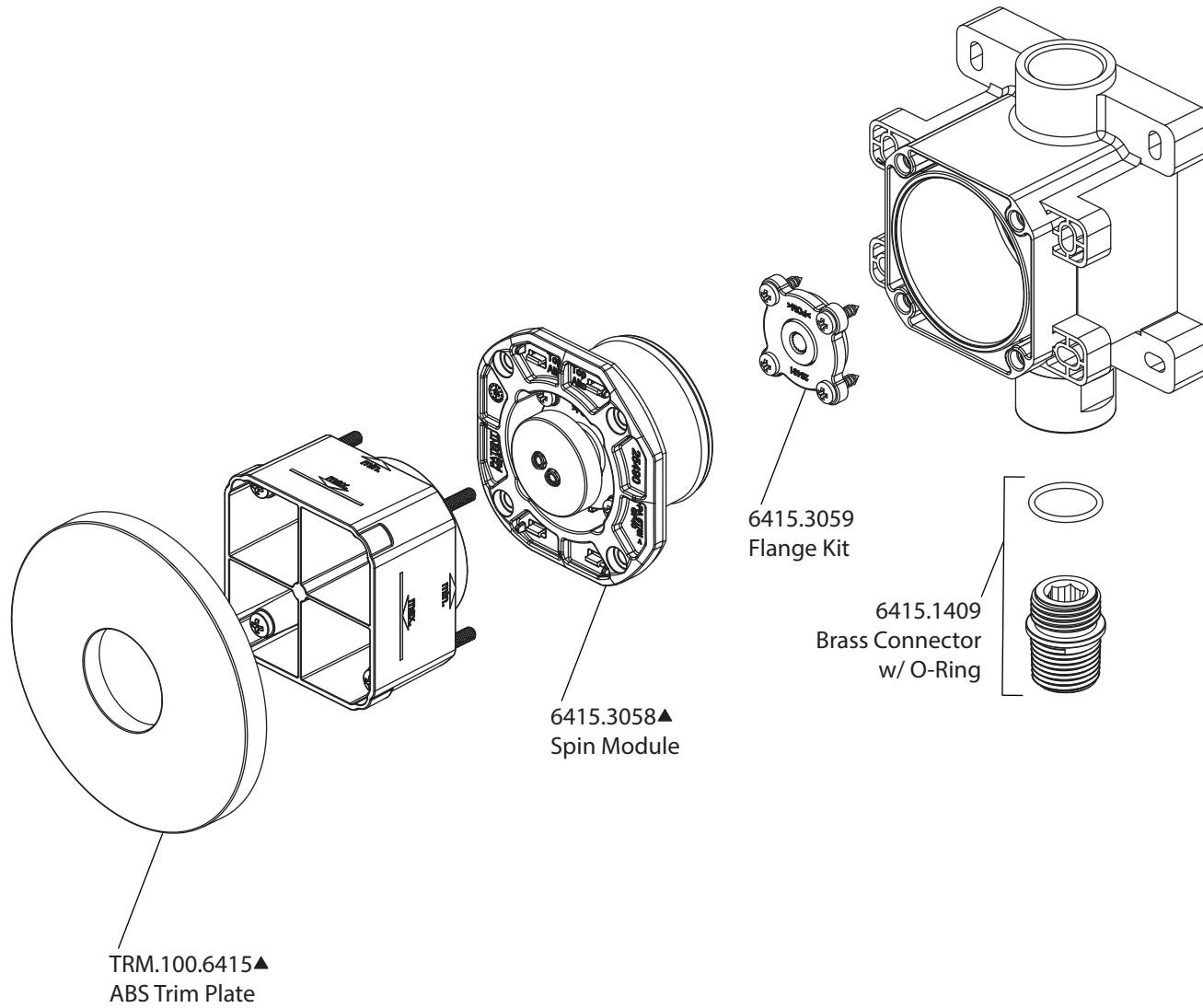


# Product Parts Breakdown



Model No. 100.6415

Ver 2.54