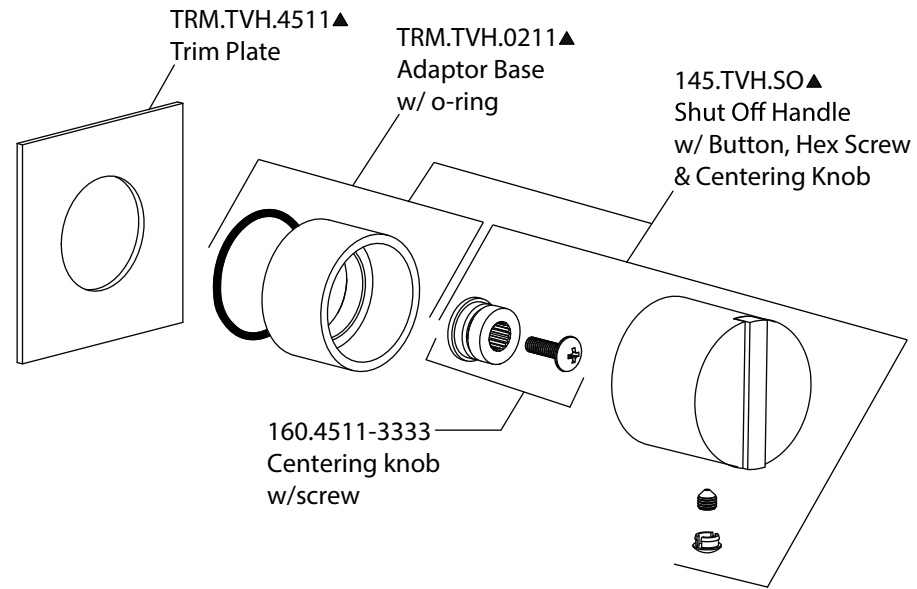


Product Parts Breakdown



Model No. 145.4511T

Ver 2.54