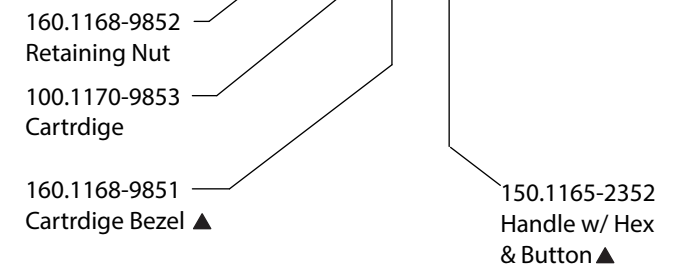
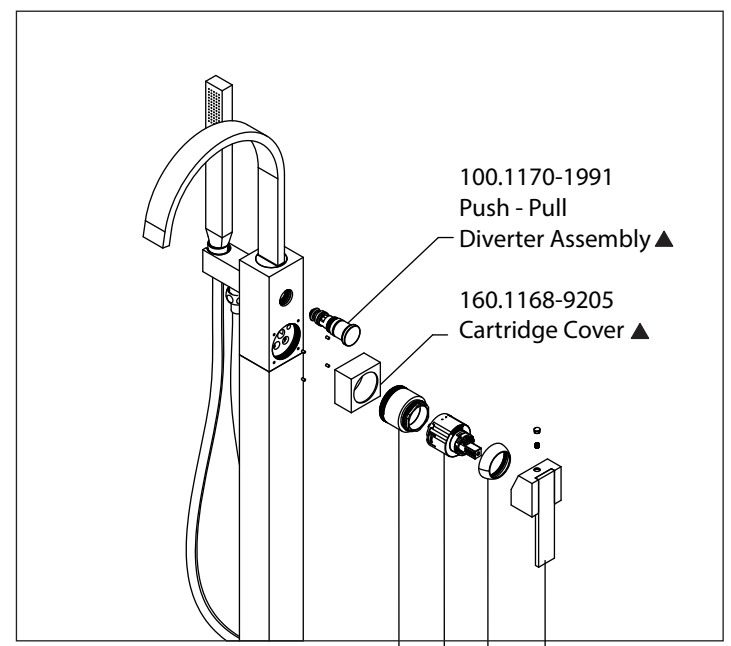
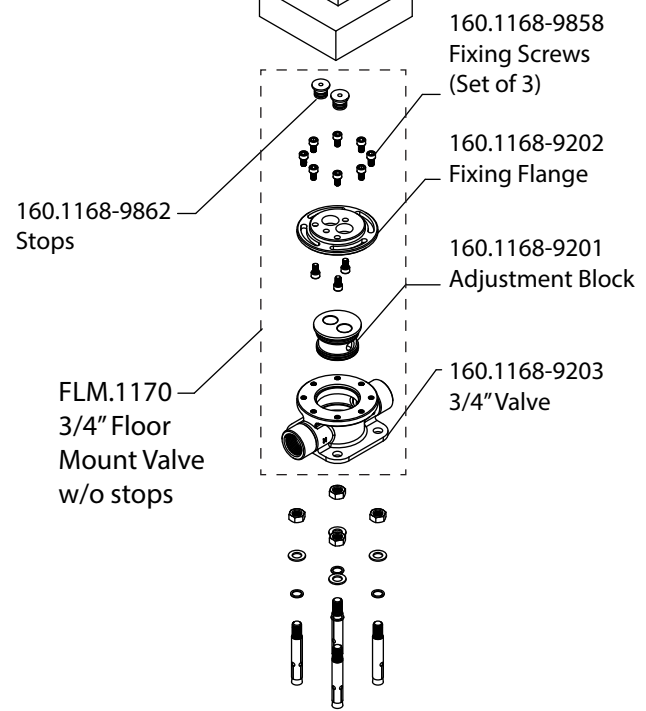
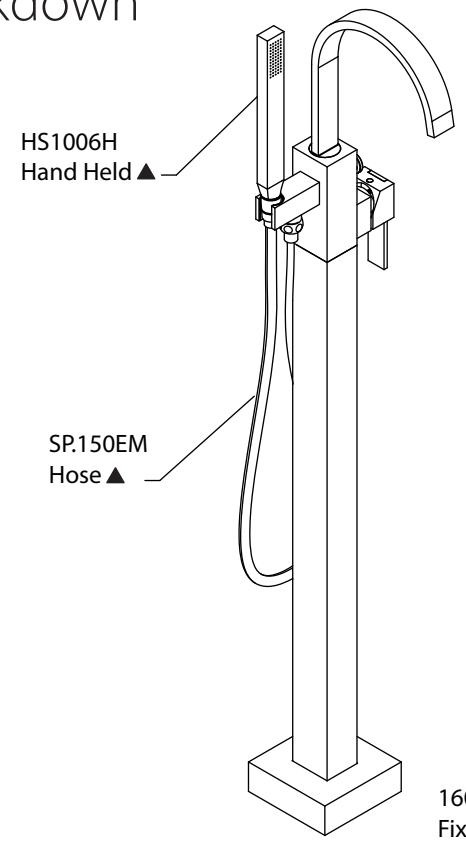


Product Parts Breakdown (3/4" Version)



Model No. 150.1165 **Ver** 2.56

