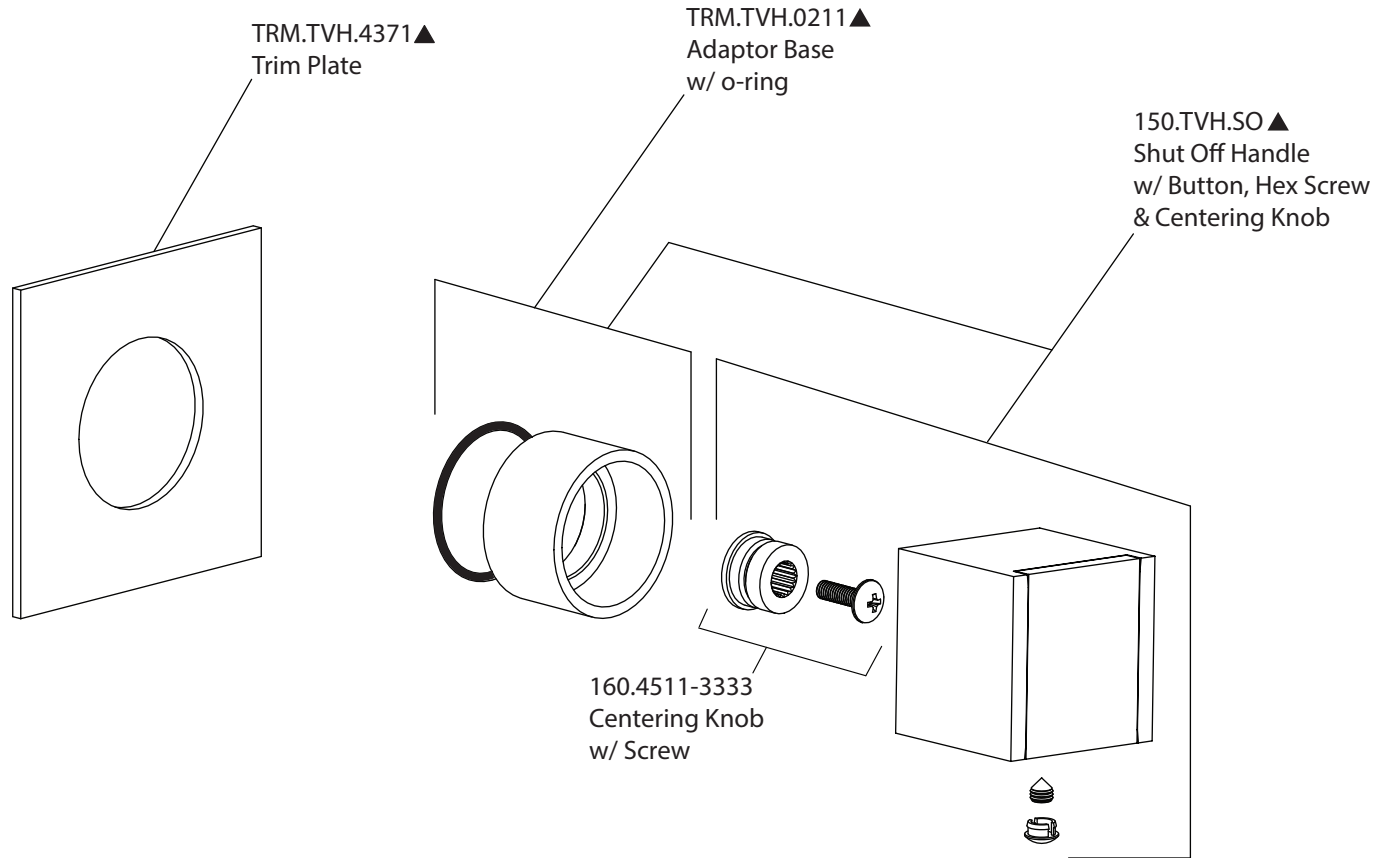


# Product Parts Breakdown



**Model No.** 150.4371T

**Ver** 2.54