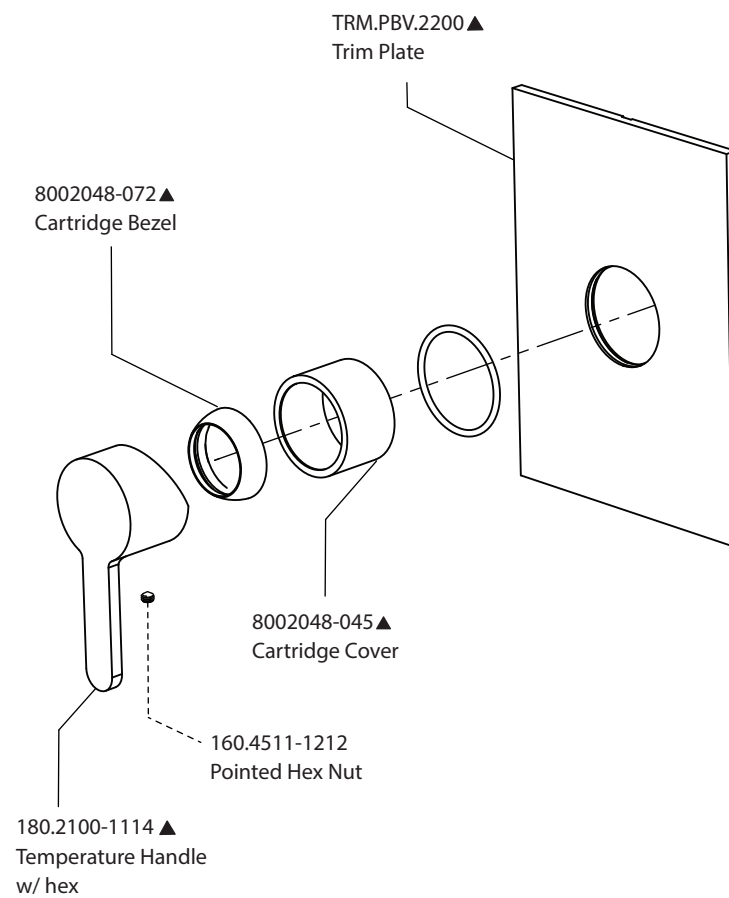


Product Parts Breakdown

▲ Specify Finish



isenberg
innovation+design

180.2200T

Ver 2.53