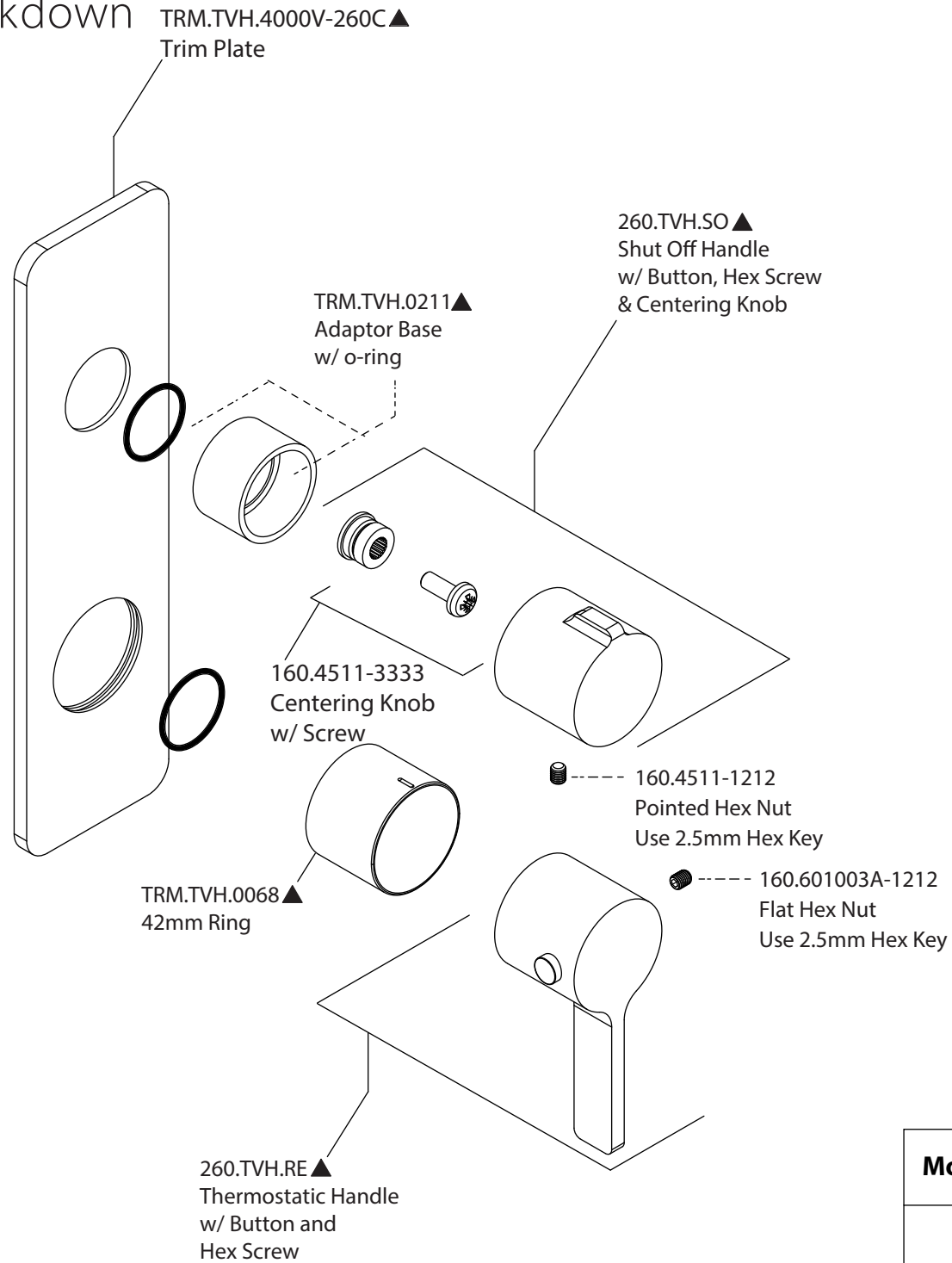


Product Parts Breakdown



Model No. 260.4000VT **Ver 2.55**