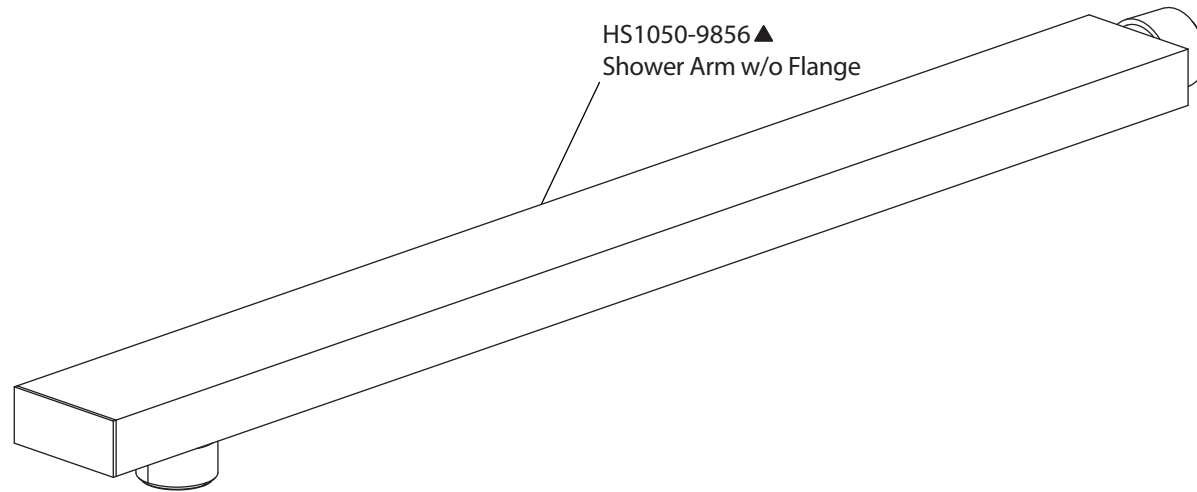
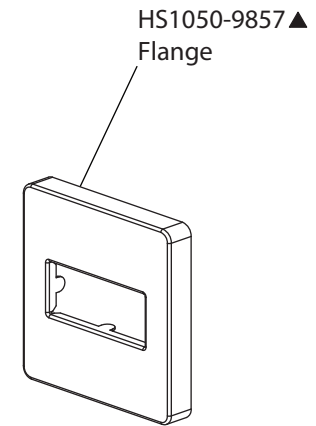


# Product Parts Breakdown

▲ Specify Finish



HS1050-9856▲  
Shower Arm w/o Flange



HS1050-9857▲  
Flange

**isenberg**  
innovation+design

HS1050

Ver 2.54