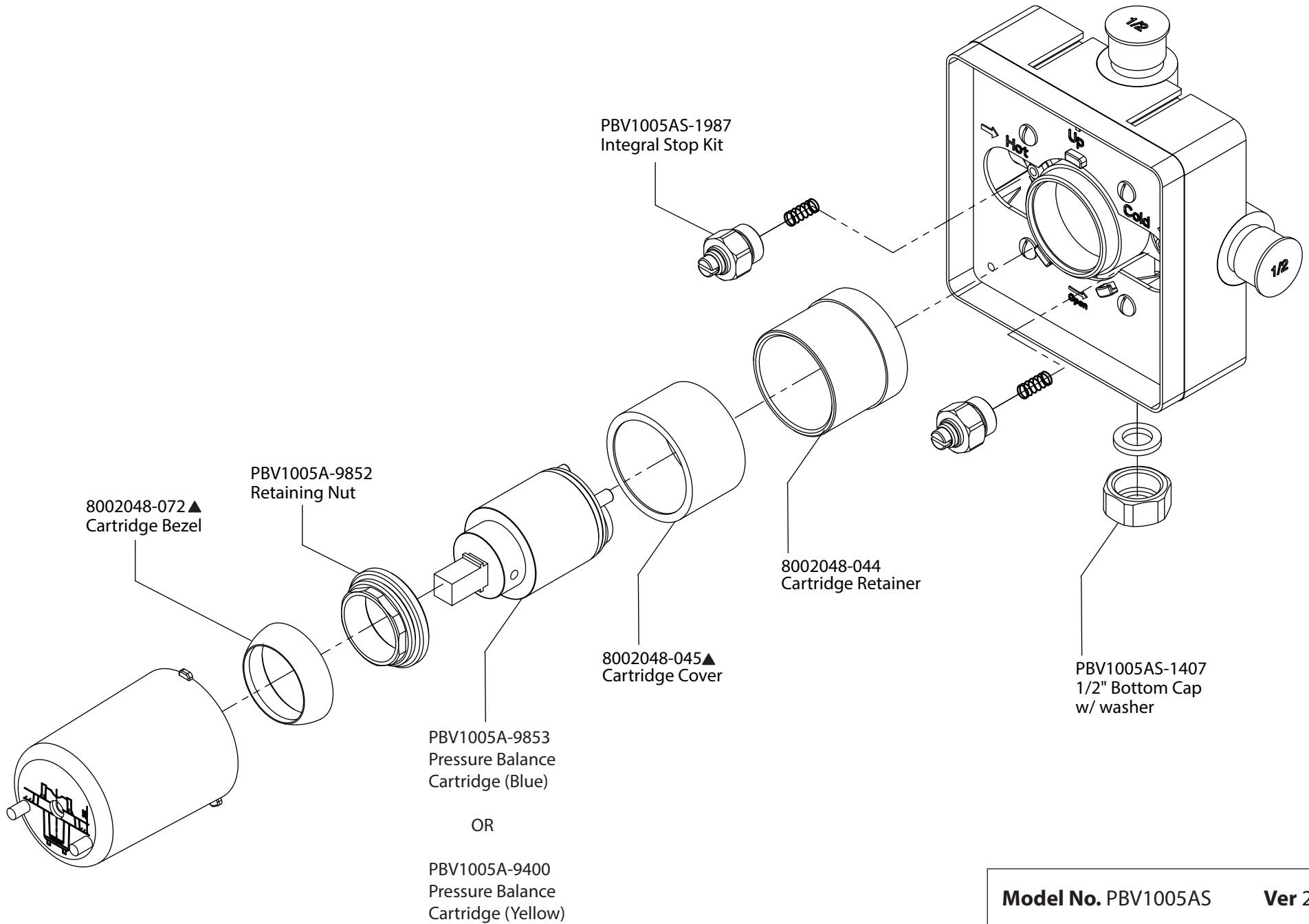


Product Parts Breakdown

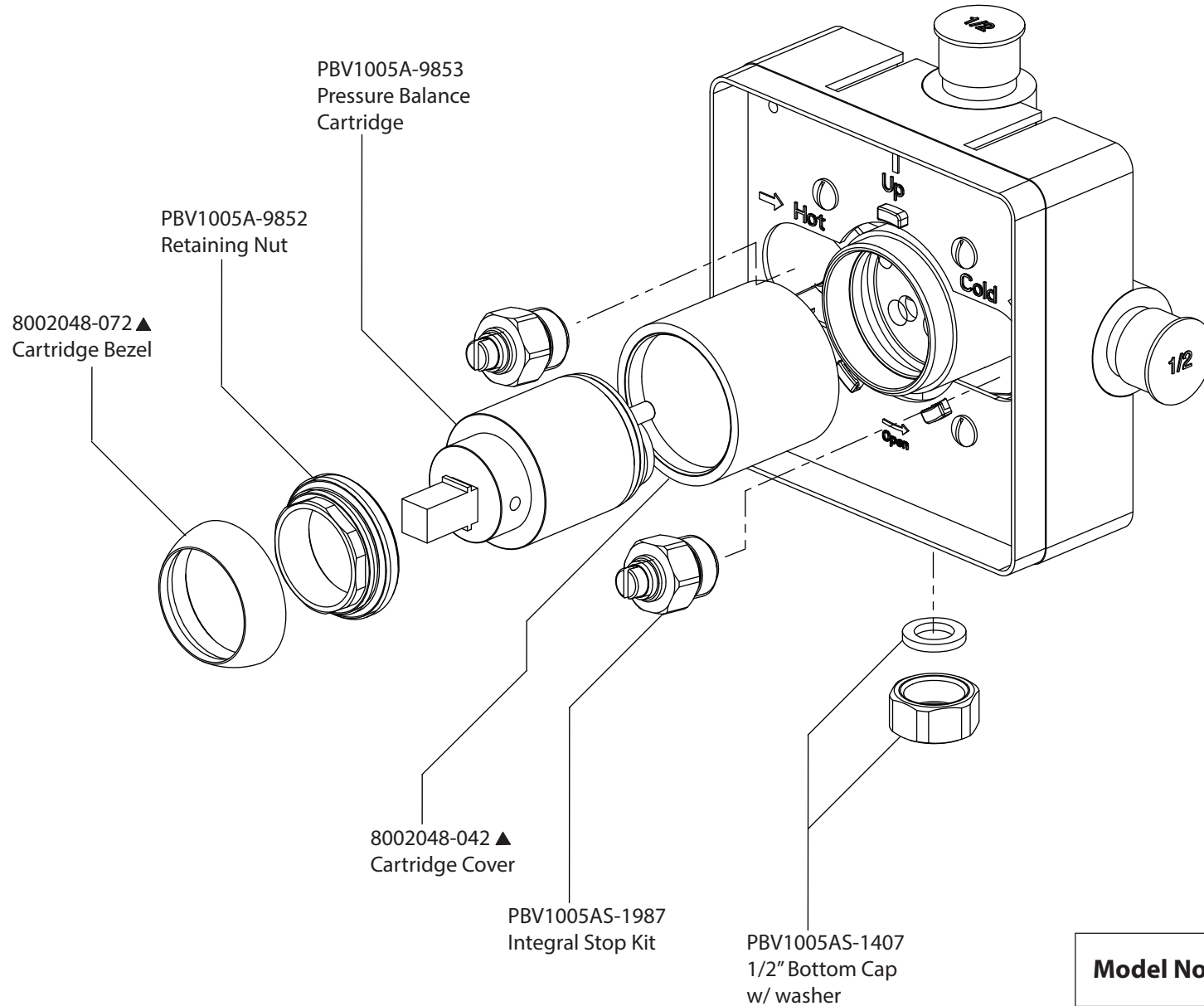


Model No. PBV1005AS **Ver 2.54**



Product Parts Breakdown

(Obsolete)



Model No. PBV1005AS **Ver** 2.54

