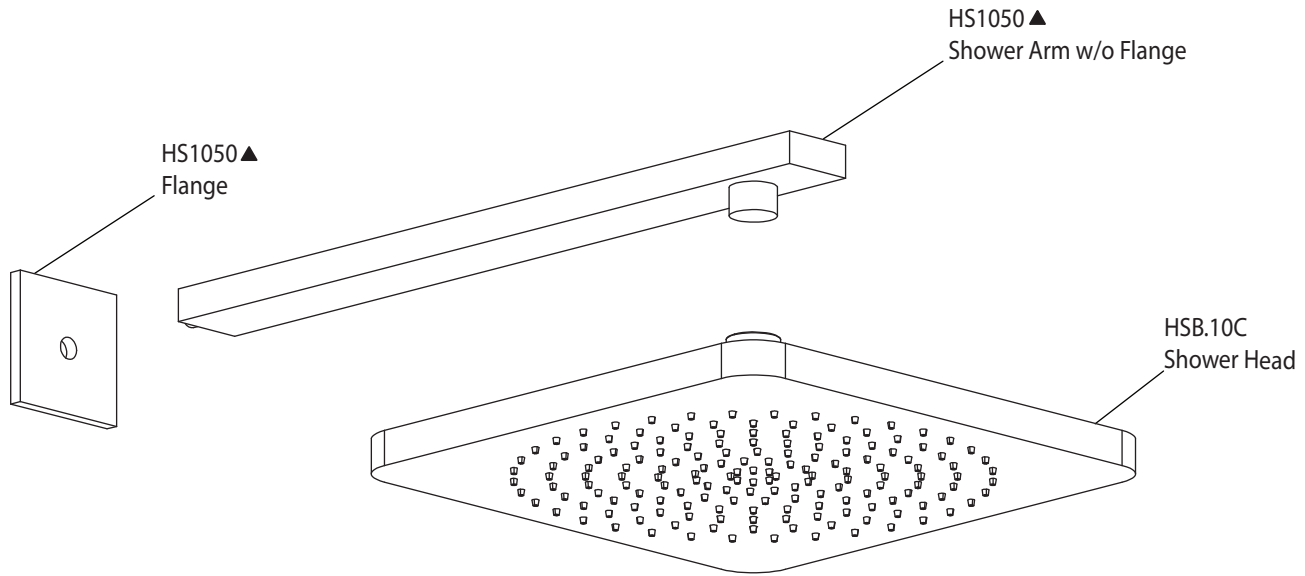


Product Parts Breakdown



Model No. RHW.10C

Ver 2.53

isenberg[®] *by* **FLUSSO**
LUXURY PLUMBING FIXTURES