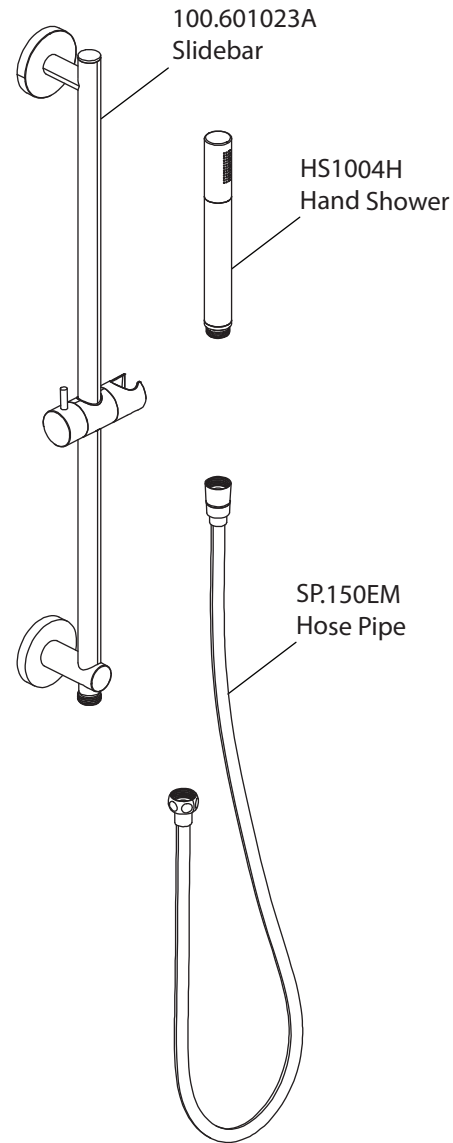


# Product Parts Breakdown



**Model No.** SHS.2014

**Ver** 2.53