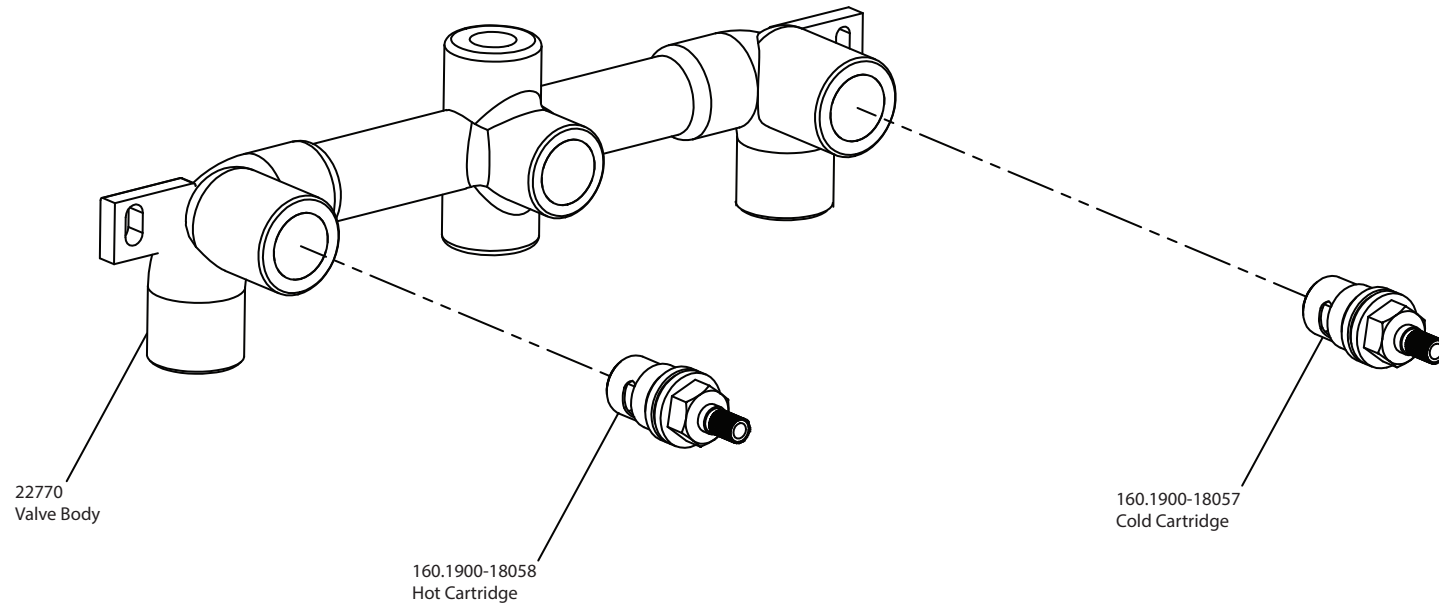


# Product Parts Breakdown



**isenberg**  
innovation+design

WLM.1900

Ver 2.53