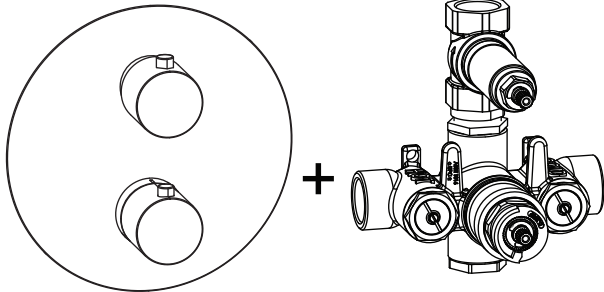


**100.4102 | 3/4" Thermostatic Valve With Volume Control & Trim**

**SPECIFICATIONS:**

- Turn bottom handle to control temperature
- Turn top handle to control volume
- Includes Thermostatic valve (TVH.4101) w/ service stops
- Thermostatic Valve Flow Rate - 13.0 GPM @ 60 PSI
- Extension Available - TVH.4101E\*\*



Trim  
[ 100.4001T\*\* ]

Valve  
[ TVH.4101 ]

Belgian Mirror Finish



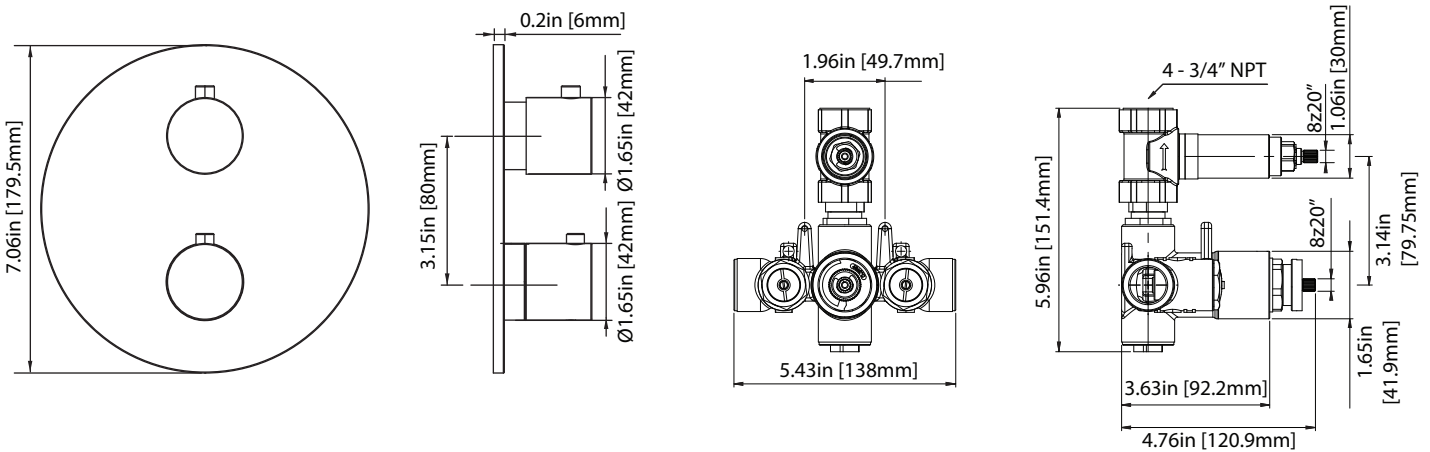
Legislation Compliance



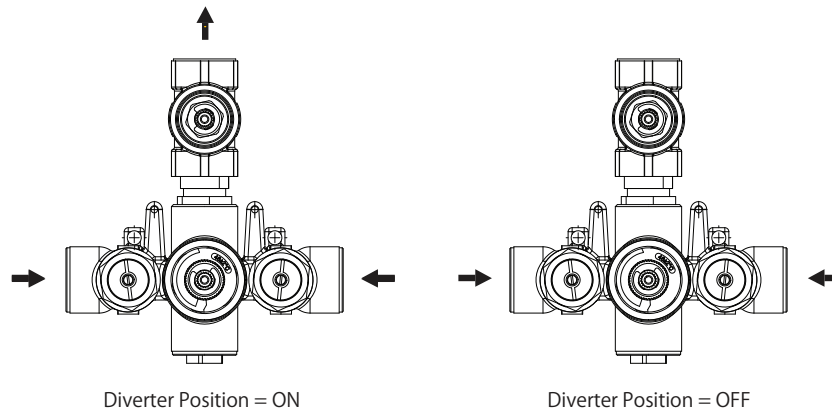
ZeroDrip Technology



**Technical Diagram**



**Water Diversion Diagram**



TVH.4101 | 3/4" Thermostatic Valve With Volume Control Page 1 of 2

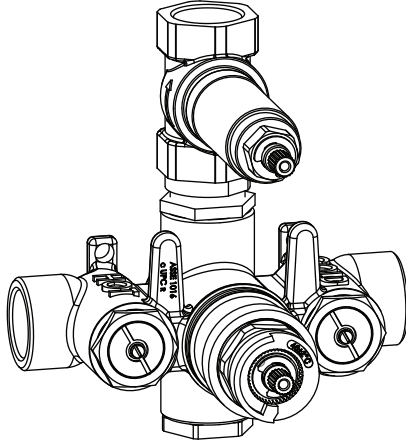


**SPECIFICATIONS:**

- Turn bottom knob to control temperature.
- Turn top knob to control water flow.
- Thermostatic Valve Flow Rate - 13.0 GPM @ 60 PSI

**STANDARDS:**

- ASME A112.18.1 / CSA B125.1



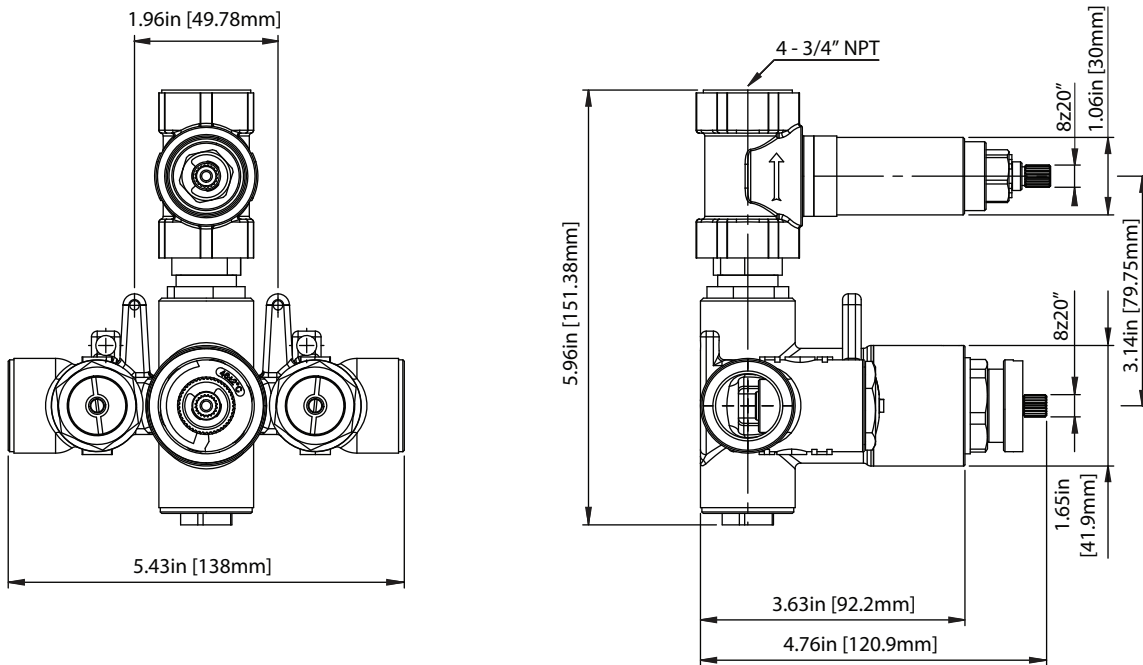
Legislation Compliance



ZeroDrip Technology



**Technical Diagram**



TVH.4101 | 3/4" Thermostatic Valve With Volume Control Page 2 of 2



Water Flow Diagram

