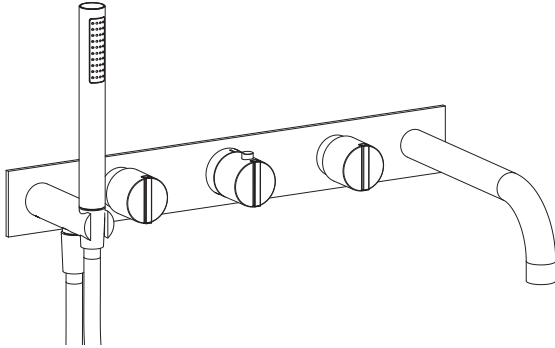


**145.2691 | Wall Mount Tub Filler Valve & Trim - 2 Volume Controls - 3/4" Thermostatic
[Tub Spout & Hand Shower Outputs]**



SPECIFICATIONS:

- Wall Mount Tub Filler
- Spout Projection = 9"
- Turn center knob to set temperature
- Turn right knob to activate output 1 - Hand Shower
- Turn left knob to activate output 2 - Tub Spout
- Thermostatic Valve Flow Rate - 8.0 GPM @ 60 PSI
- Hand Shower & Tub Spout positions can be swapped

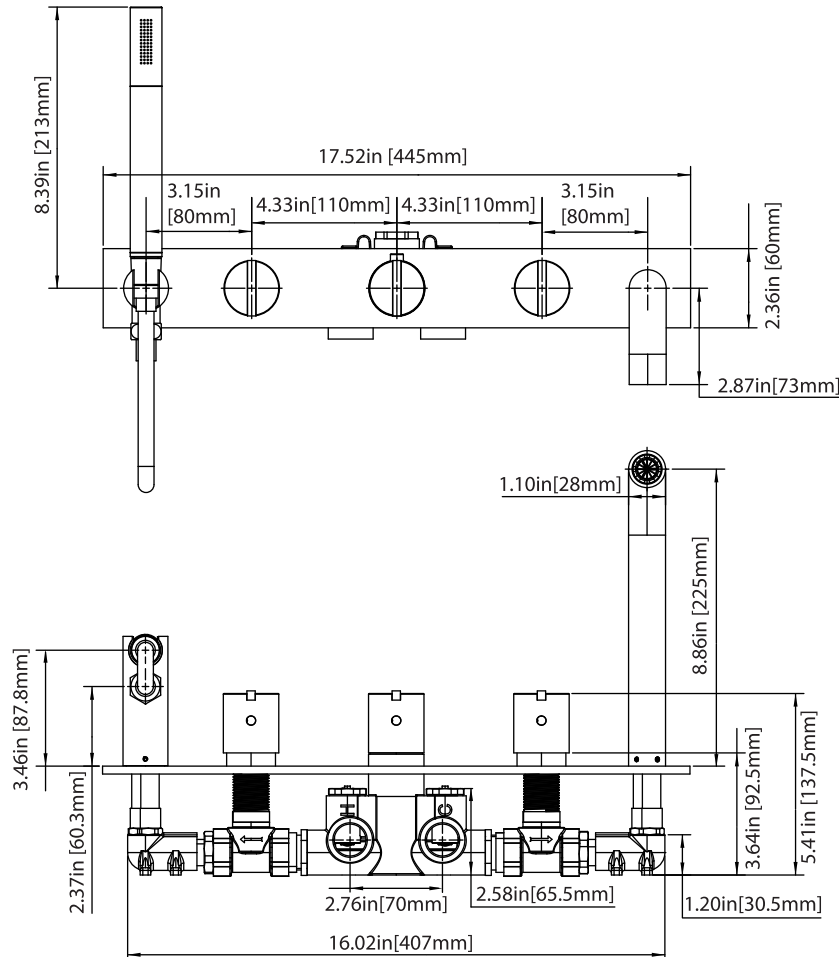
STANDARDS:

- ASME A112.18.1 / CSA B125.1

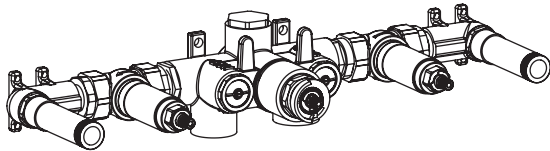
145.2691 Includes Valve [TVH.2691] + Trim [145.2691T**]

! See Spec Sheet For TVH.2691 For Detailed Information On Valve.

Technical Diagram



TVH.2691 | 3/4" Thermostatic Tub Filler Valve With 2 Volume Controls [Tub Spout & Hand Shower Output] Page 1 of 2



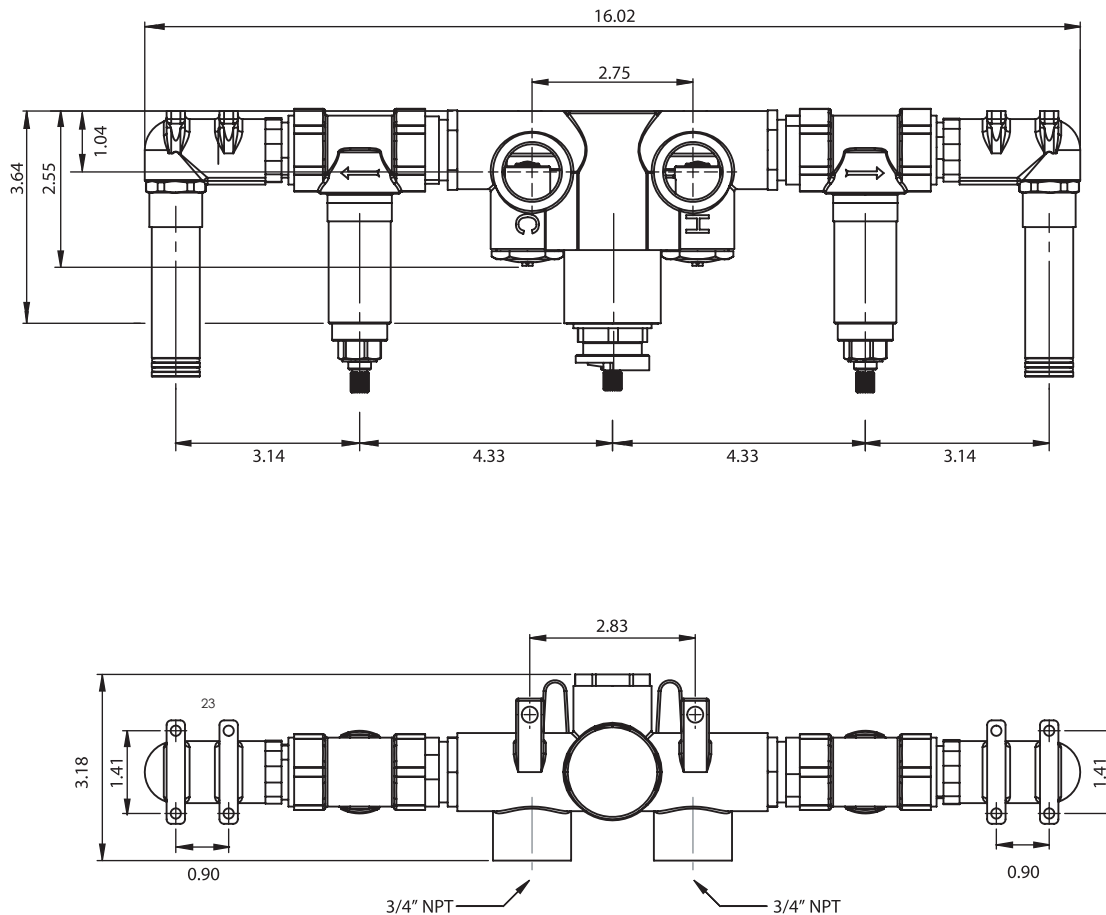
SPECIFICATIONS:

- Wall Mount Tub Filler
- Turn center knob to set temperature
- Turn right knob to activate output 1 - Hand Shower
- Turn left knob to activate output 2 - Tub Spout
- Thermostatic Valve Flow Rate - 8.0 GPM @ 60 PSI

STANDARDS:

- ASME A112.18.1 / CSA B125.1

Technical Diagram



TVH.2691 | 3/4" Thermostatic Tub Filler Valve With 2 Volume Controls [Tub Spout & Hand Shower Output] Page 2 of 2



Water Diversion Diagram

