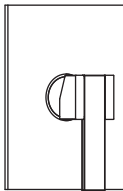


150.3000 | Single Output Shower W/ Shower Head & Arm



**COMPONENTS**

- HS1030 - 7 Shower Arm
- 200.6131 - 5 Function Head
- 150.2200T - Shower Trim
- PBV.1005AS - Shower Valve

**SHOWER VALVE:**

- Pressure balance shower valve
- Valve includes service stops
- Lift handle to control volume
- Turn left for hot, right for cold

**SHOWER HEAD:**

- 5 function ABS construction
- 1.8 GPM flow rate

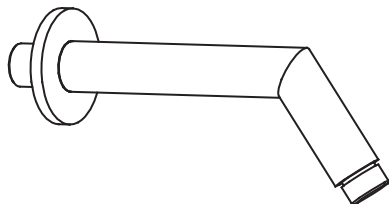
**STANDARDS:**

- ASME A112.18.1/CSA B125.1

See individual component specification sheets on following pages for further details.



HS1030 | Round Shower Arm



SPECIFICATIONS:

- Solid Brass Shower Arm
- With Brass Flange

FAST SHIP FINISHES :

- Chrome - HS1030CP / Brushed Nickel - HS1030BN

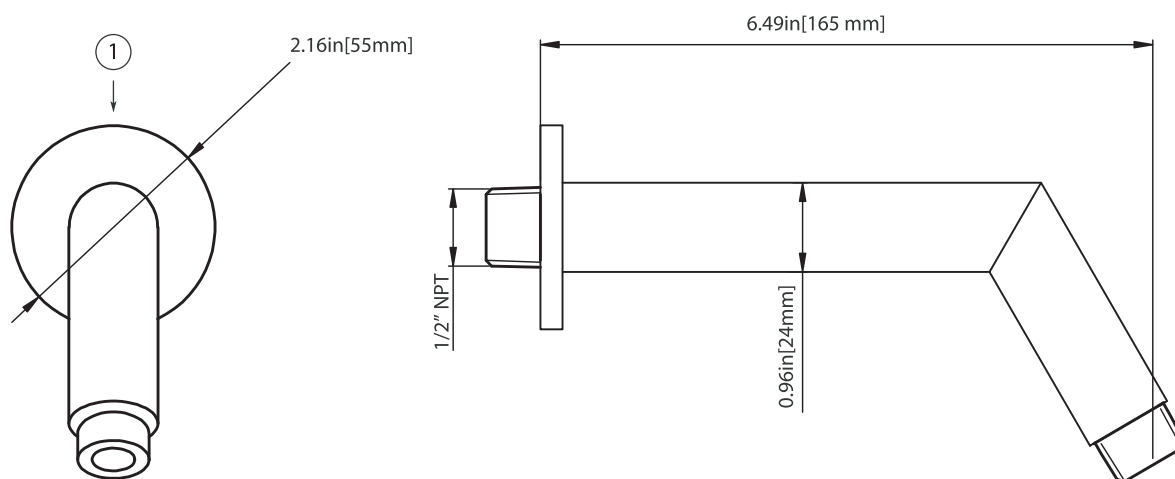
Legislation Compliance



ZeroDrip Technology



Technical Diagram



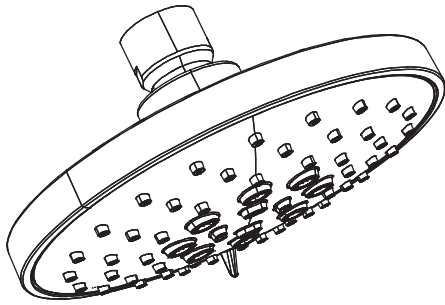
PartNumberGuide:

- ① Flange - HS1030-1253CP - Chrome  
HS1030-1253BN - Brushed Nickel

200.6131 | 130mm 5-Function Shower Head

SPECIFICATIONS:

- ABS Shower Head
- 3 Unique Functions, 2 Shared Functions, 5 Total Functions
- Scrub rubber nozzles to easily clean water sediment
- 1.8 GPM Flow Rate



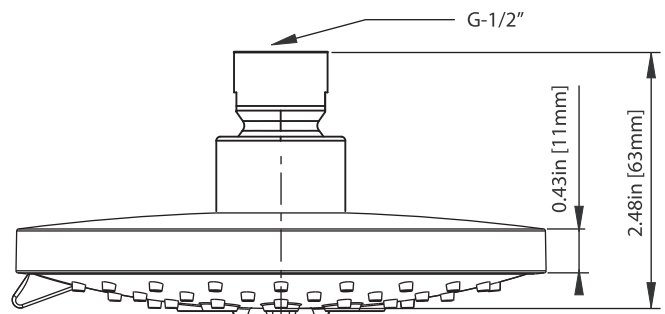
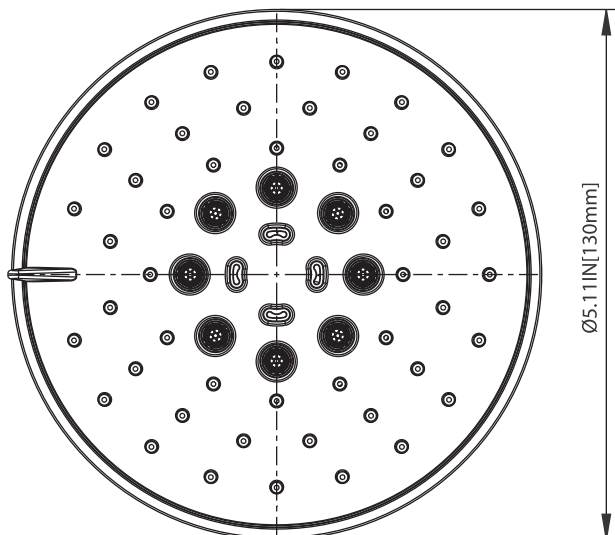
Legislation Compliance



ZeroDrip Technology



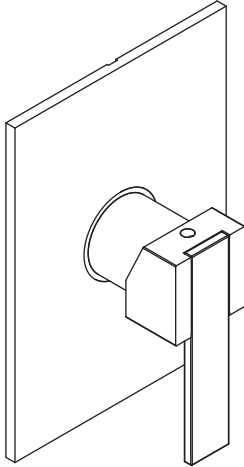
Technical Diagram



150.2200T | Shower Trim

SPECIFICATIONS:

- Solid Brass Trim & Handle set
- Valve not included - trim only
- Lift Handle to control volume. Turn left for hot, right for cold.



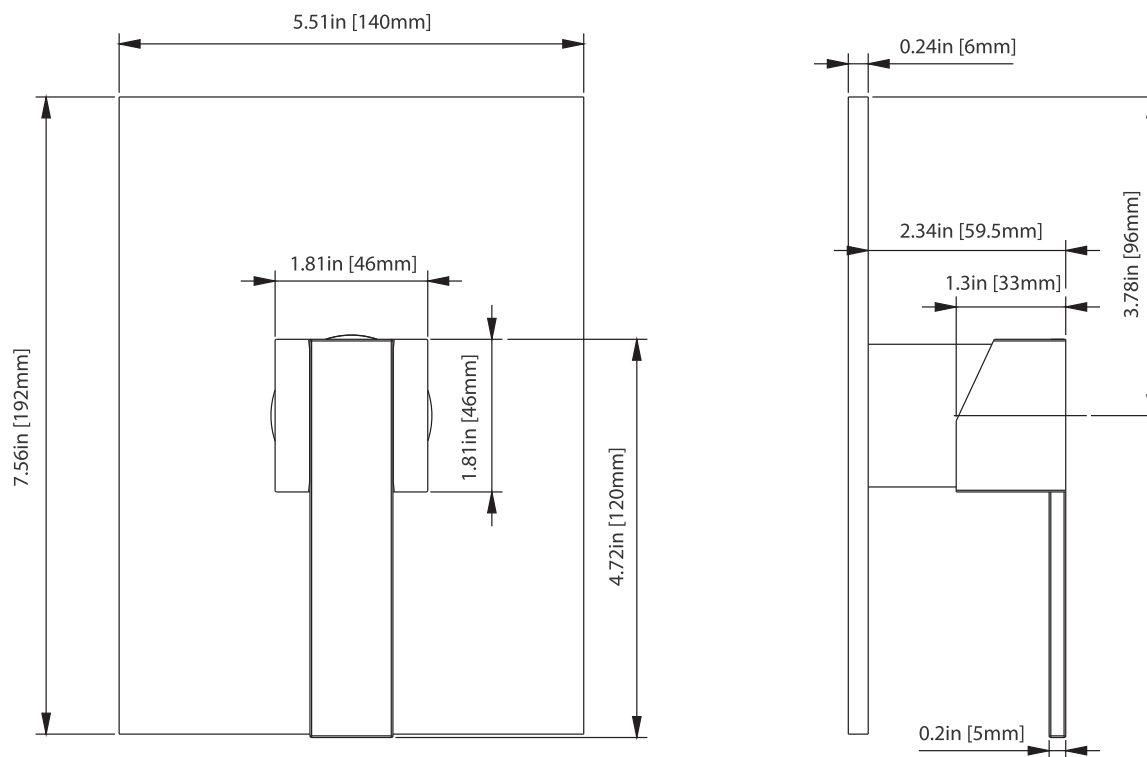
Legislation Compliance



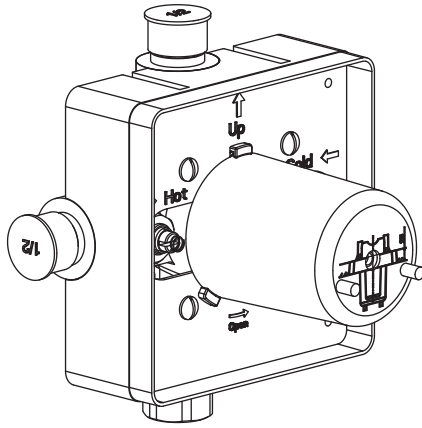
ZeroDrip Technology



Technical Diagram



PBV1005AS | Single Control Pressure Balance Valve Page 1 of 2



**SPECIFICATIONS:**

- Lift Handle to control volume. Turn left for hot, right for cold.
- Pressure Balance Valve Flow Rate - 5.5 GPM @ 60 PSI

**FAST SHIP FINISHES :**

- Chrome - PBV1005ASCP / Brushed Nickel - PBV1005ASBN

**STANDARDS:**

- ASME A112.18.1 / CSA B125.1

**WARRANTY:**

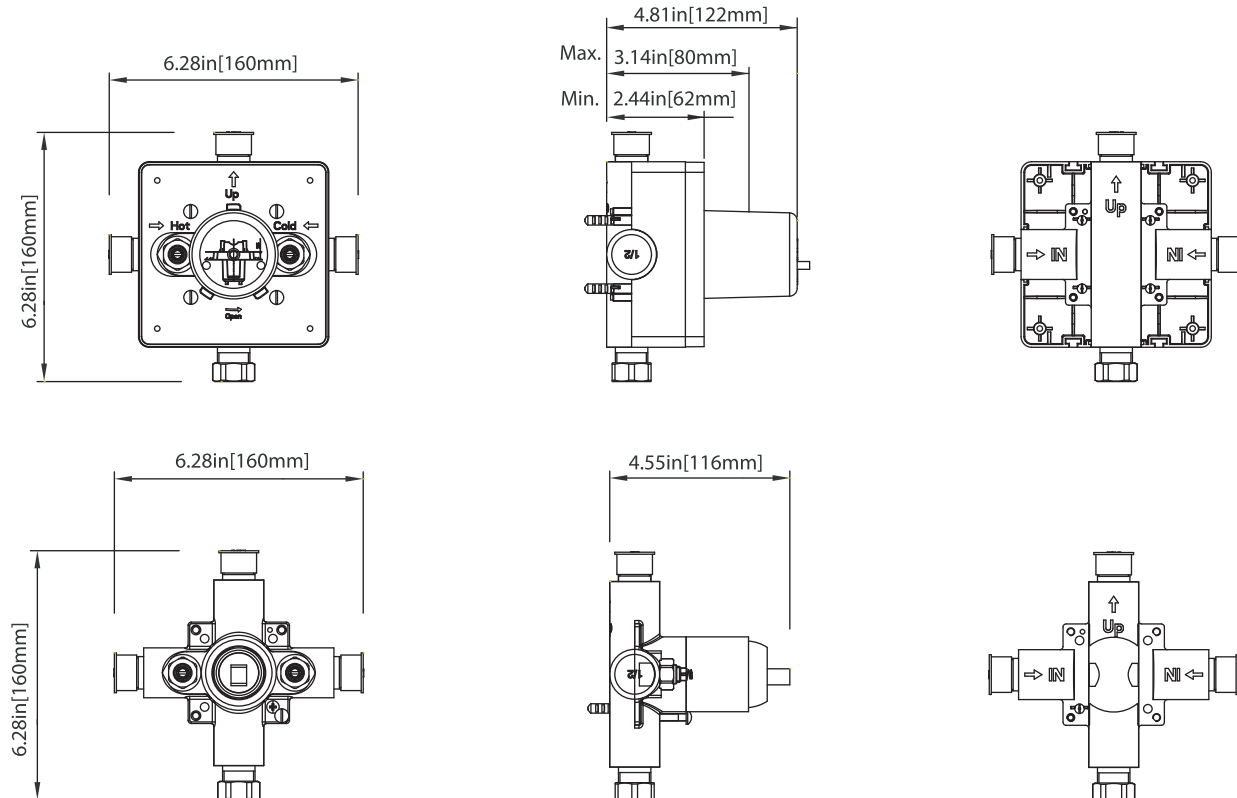
- Limited lifetime warranty to the original consumer purchaser against finish and workmanship

Legislation Compliance

ZeroDrip Technology



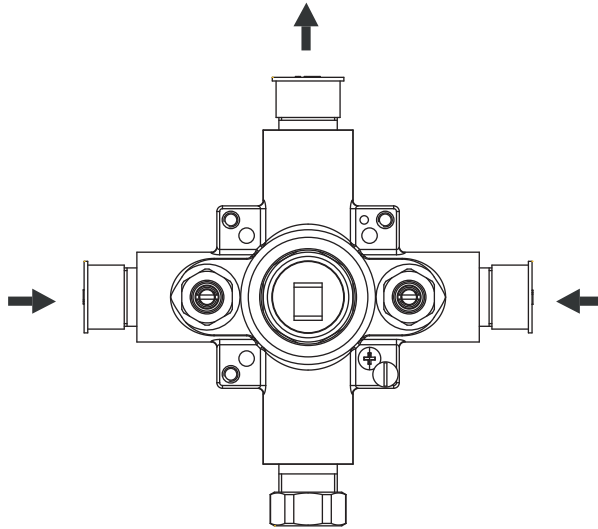
**Technical Diagram**



PBV1005AS | Single Control Pressure Balance Valve Page 2 of 2



Water Flow Diagram



**Extension Kits**

- a Temperature Handle Extension - PBV.E185CP - Chrome  
PBV.E185BN - Brushed Nickel