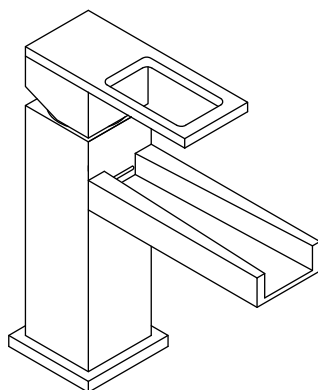


160.1000CF | Single Hole Cascade Flow Faucet



SPECIFICATIONS:

- Solid Brass construction
- Single Hole Installation
- 1.2GPM @ 60 PSI
- Ceramic disc cartridge allows both volume and temperature control

STANDARDS:

- ASME A112.18.1 / CSA B125.1, NSF-61



Drain Included



Technical Diagram

