

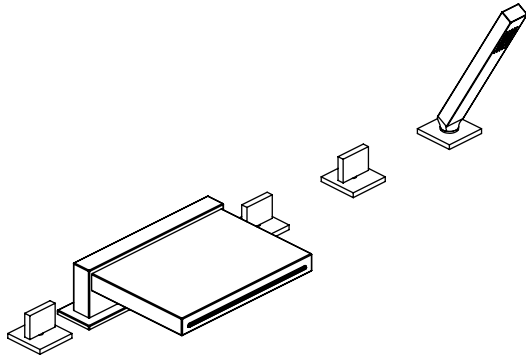
**160.2420CF | 5-Hole Deck Mounted Cascade / Sheet Flow Roman Tub Filler**

**SPECIFICATIONS:**

- Solid Brass construction - includes valve DKM.2420
- Spout Projection 6.1"
- Flow Rate = 8 GPM
- Hand Shower Flow Rate = 1.8 GPM @ 60 PSI w/ back flow prevention
- 1/2" NPT Connection
- Diverter handle control water flow between cascade and hand held

**STANDARDS:**

- ASME A112.18.1 / CSA B125.1



**Technical Diagram**

