

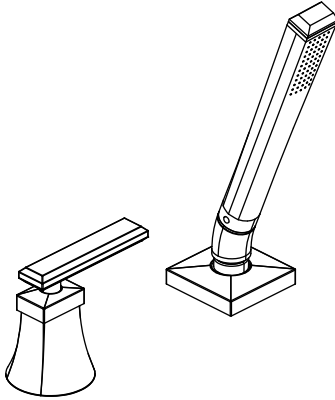
**230.1280 | Deck Diverter With Holder & Hose**

**SPECIFICATIONS:**

- Solid Brass construction
- Two Hole Deck Mount Installation
- Deck Diverter controls flow between spout and hand held
- Includes backflow prevention check valve
- Use with valve DKM.2420 [Included]

**STANDARDS:**

- ASME A112.18.1 / CSA B125.1, NSF-61



**FLOW**  
Efficient

**Technical Diagram**

