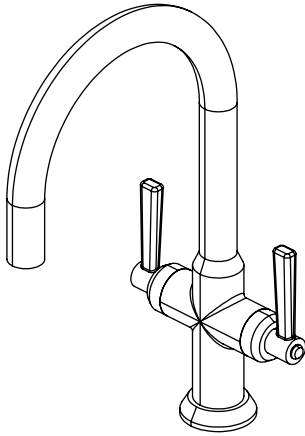


**Velox - B.1800 | Kitchen / Bar Faucet**



**SPECIFICATIONS:**

- Solid Brass construction
- 1.8 GPM Flow Rate
- Two lever operation - one for hot and one for cold
- Deck hole size = 1 3/8"

**STANDARDS:**

- ASME A112.18.1 / CSA B125.1

**Technical Diagram**

