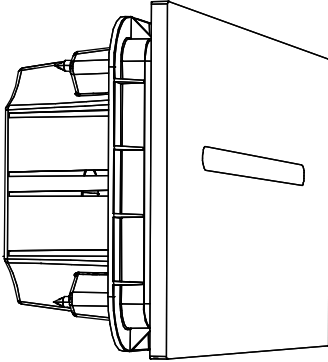


CFB.2150 | In-Wall Waterfall / Cascade Flow Tub Filler



SPECIFICATIONS:

- Stainless Steel Construction
- Includes Concealed In-Wall Valve
- Flow Rate: ~ 5 GPM @ 60 PSI
- Water Projection From Face plate - Approximately 4-5 Inches*
- *Distance the water falls away from the face plate.

STANDARDS:

- ASME A112.18.1 / CSA B125.1

Technical Diagram

