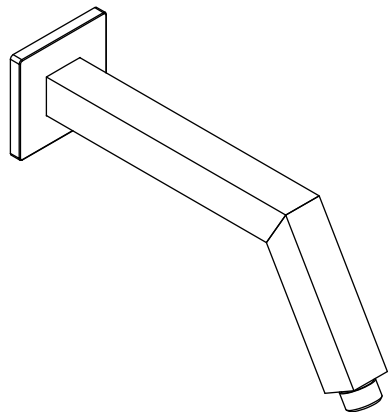


HS1025 | Square Shower Arm

SPECIFICATIONS:

- Solid Brass Shower Arm
- With Sliding Flange
- 1/2" NPT Male Thread



Technical Diagram

