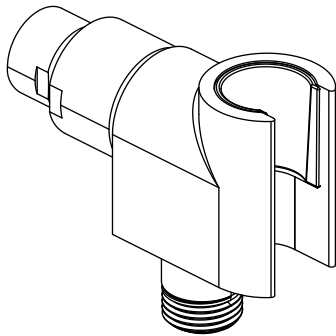


HS8038 | Shower Arm Mount For Hand Shower

SPECIFICATIONS:



- Solid Brass Construction
- Includes Check Valve with back flow prevention.
- With Tilting Holder
- Attaches directly to the standard shower head connection
- Designed to connect to a standard shower hose
- Standard 1/2" connections

Technical Diagram

