

**PBV1005AS | Single Control Pressure Balance Valve** Page 1 of 2

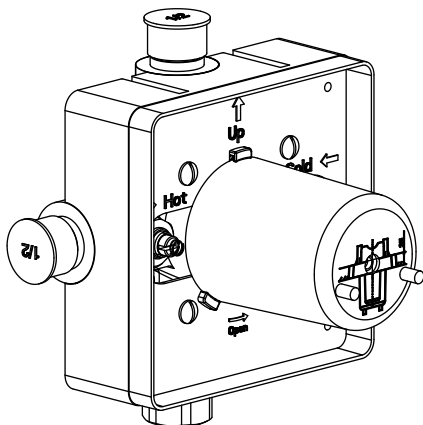


**SPECIFICATIONS:**

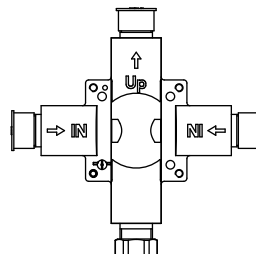
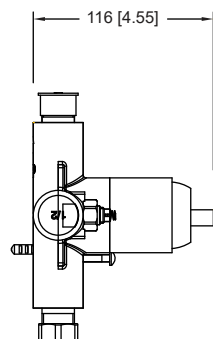
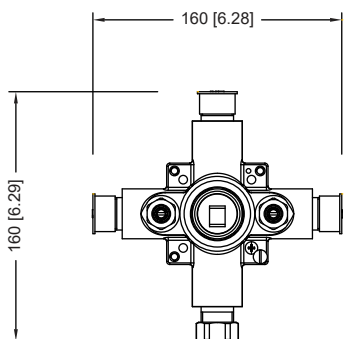
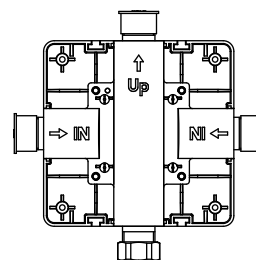
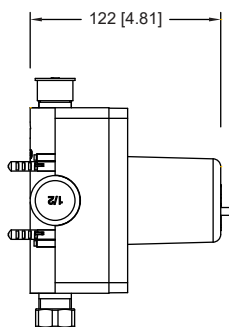
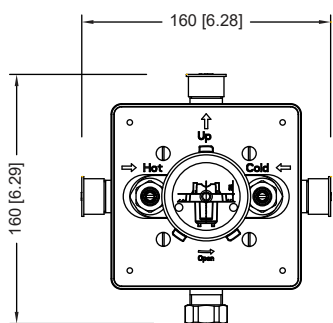
- Lift Handle to control volume. Turn left for hot, right for cold.
- Pressure Balance Valve Flow Rate - 5.5 GPM @ 60 PSI
- Extension Available - PBV.E185\*\*

**STANDARDS:**

- ASME A112.18.1 / CSA B125.1



**Technical Diagram**



PBV1005AS | Single Control Pressure Balance Valve Page 2 of 2



Water Flow Diagram

