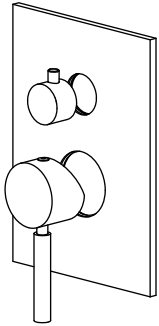
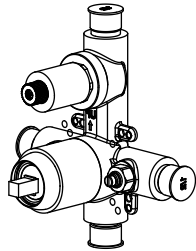


**UF.2100 | Tub / Shower Trim Set With Pressure Balance Valve & 2-Way Diverter with Integrated Volume Control**



Trim  
[ UF.2100T\*\* ]

+



Valve  
[ PBV1005A\*\* ]

**SPECIFICATIONS:**

- Includes Pressure balance valve (PBV1005A\*\*) w/ service stops
- Lift Handle to control volume. Turn left for hot, right for cold.
- Small knob controls 2-way water diversion
- Pressure Balance Valve Flow Rate - 5.5 GPM @ 60 PSI
- Extension Available - PBV.2100E\*\*

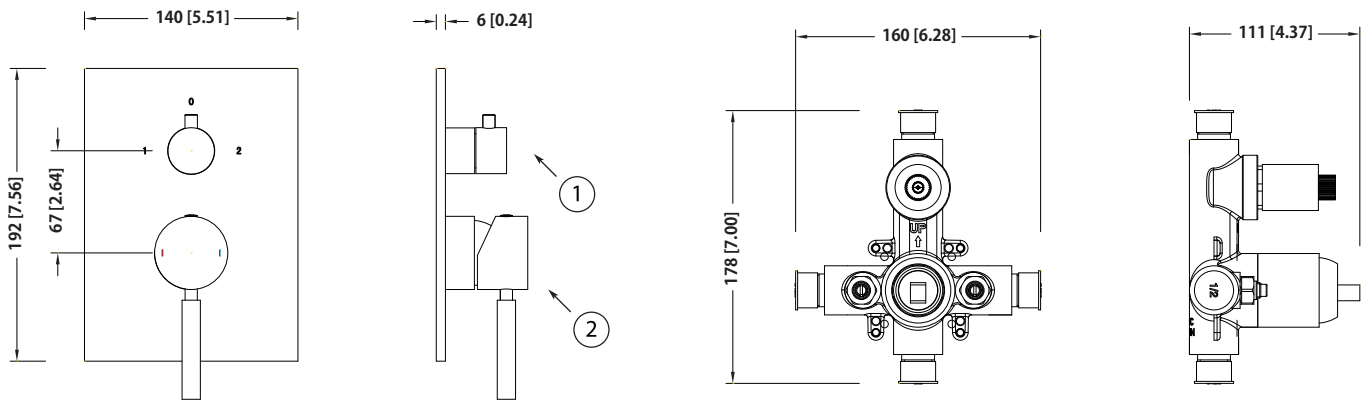
**FAST SHIP FINISHES:**

- Chrome - UF.2100CP / Brushed Nickel - UF.2100BN

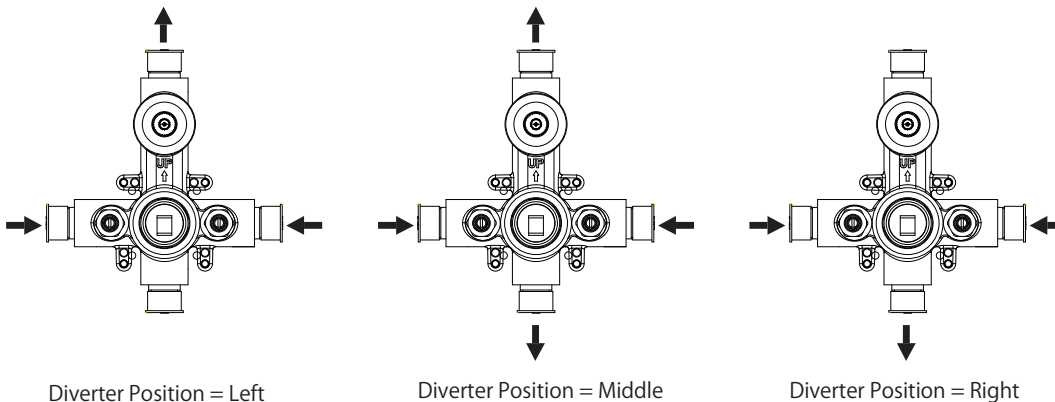
\*\* Denotes Finish (CP, BN, etc.)

See Spec Sheet For  
PBV1005A For Detailed  
Information On Valve.

**Technical Diagram**



**Water Diversion Diagram**



**PBV1005A | Pressure Balance Valve With Integrated 2-Way Diverter** Page 1 of 2

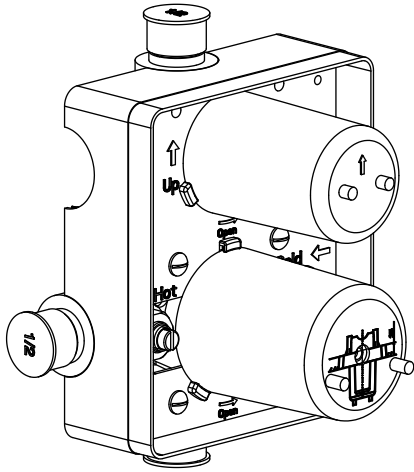


**SPECIFICATIONS:**

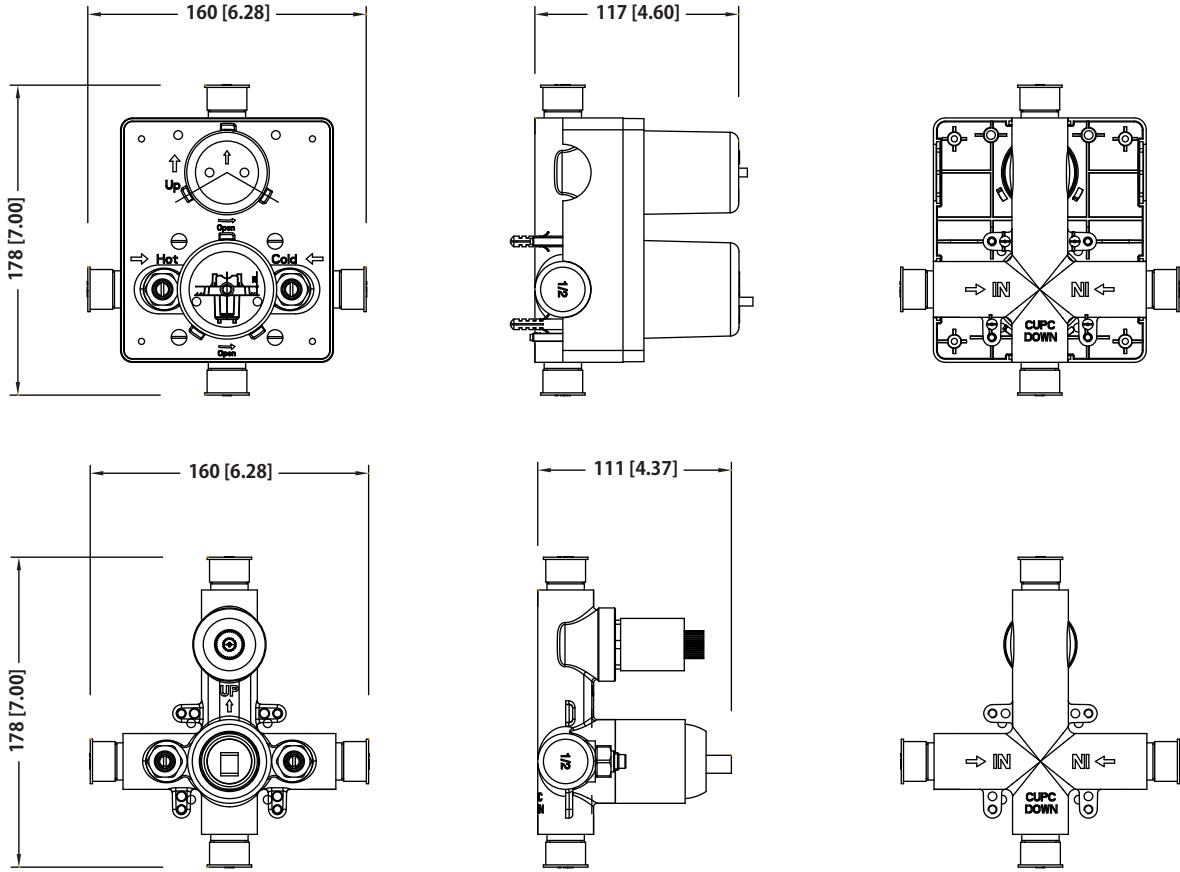
- Lift Handle to control volume. Turn left for hot, right for cold.
- Knob controls 2-way water diversion - shared output.
- Pressure Balance Valve Flow Rate - 5.5 GPM @ 60 PSI
- Extension Available - PBV.2100E\*\*

**STANDARDS:**

- ASME A112.18.1 / CSA B125.1



**Technical Diagram**





Water Diversion Diagram

